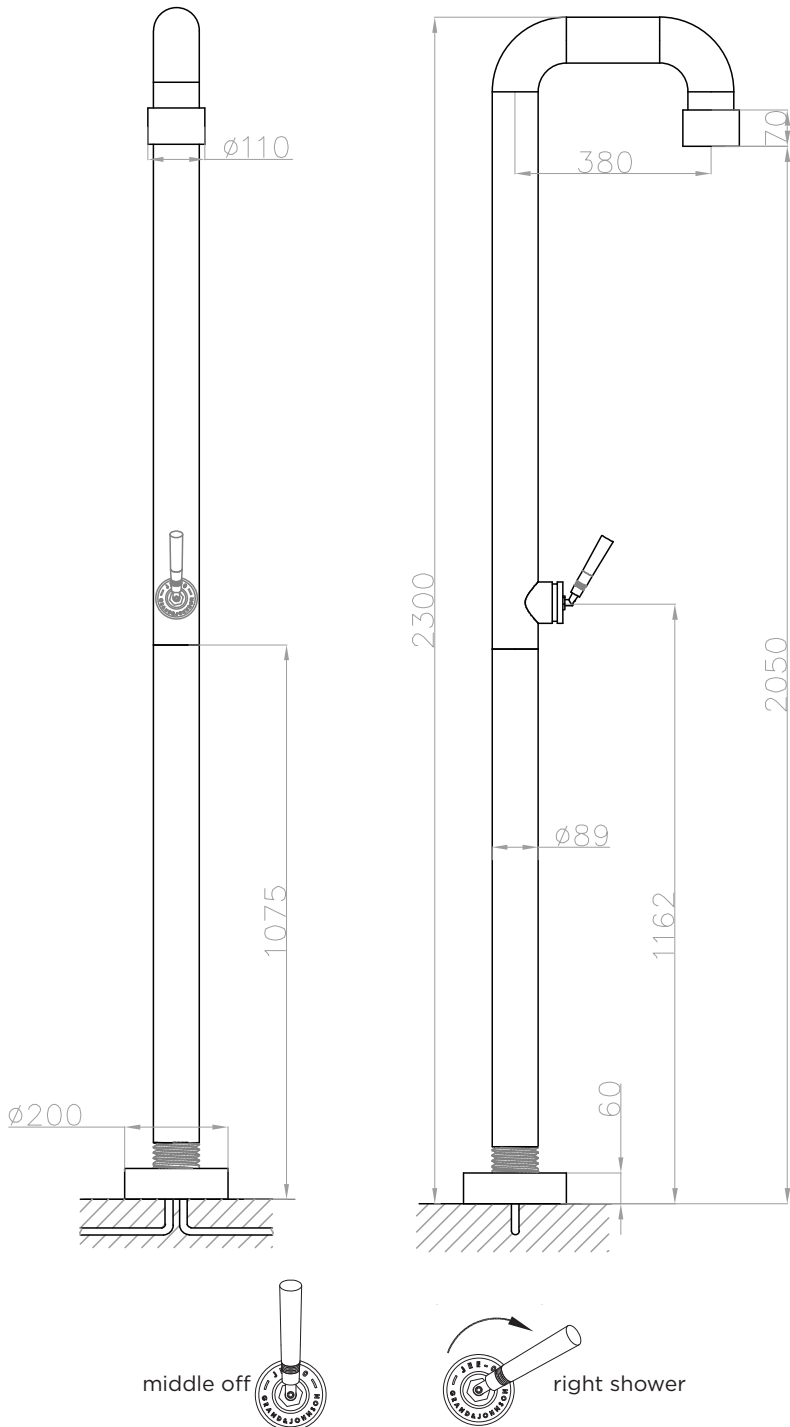
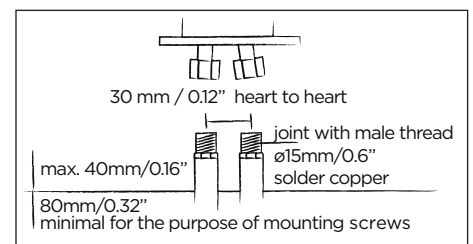




# JEE-O soho shower 01 specifications



Note:  
UV radiation and extreme temperature can affect the color and structure of the JEE-O soho shower 01 surface.



Article code: **700-6102**  
 Material: Stainless Steel r304  
 Coating: hammercoat black (1.5) Electro powder spray  
 Cartridge: Sedal ceramic mixing mechanism (progressive)  
 Cleaning: cleaning vinegar or alcohol  
 Connection: nylon<sup>(out)</sup>/epdm<sup>(in)</sup> flexhose with brass swivel  
 Flow at water of 38°C / 100,4°F: 12l / 3,2gal p/m at 3bar pressure

Dimension package: L 150 x W 58 x H 20 cm  
 Weight: 18,6 kg / 41.0 lbs  
 Package weight: 3,6 kg / 7.9 lbs  
 Placing on a water-tight floor  
 2 year warranty  
 HS code: 84818011900

SLS BS EN 817, SS 375, AS/NZS 4020, BS EN

