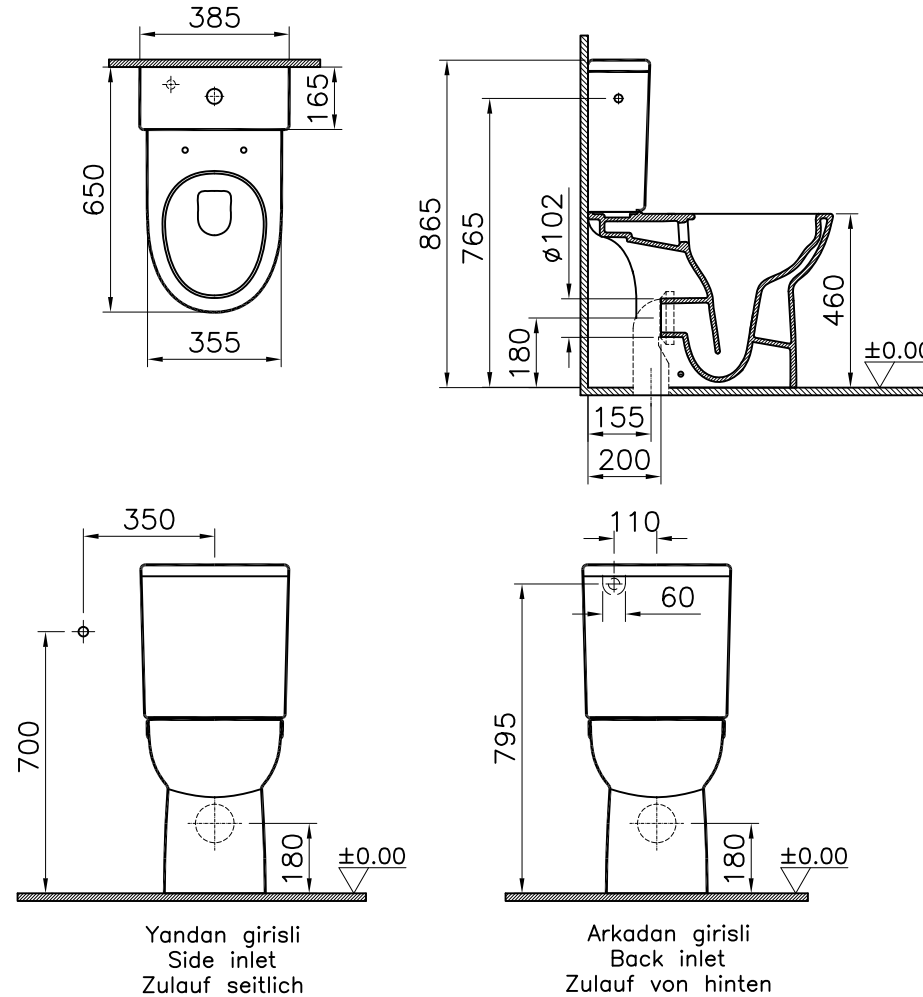


Theoretic Mass(kg)		Revision	
Surface Area(dm ²)		A4	

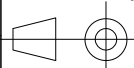
Thread	Hole	Shaft



Yandan girisli
Side inlet
Zulauf seitlich

Arkadan girisli
Back inlet
Zulauf von hinten

2	1	Cistern (Bottom inlet)	5422-0312	Ceramic	
1	1	WC pan	5817-0075	Ceramic	
item	Quantity	Part Name	Drawing No	Material	Material Class
		Series	Ceramic	Material	Material Class
		CONFORMA	WC pan		
Drawn By	Controlled By	Approved By	Date	Drawing No	Scale
G.GULTER	N.BALTAC?	H.TURKOZ	21.10.2016	5817-5422	1/20



This drawing can only be used for the intended purposes. Unauthorized copying is strictly prohibited.

R.S	Description	Date	NAME

VitrA® | ARTEMA®