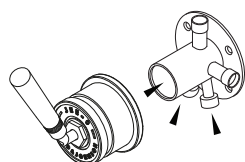
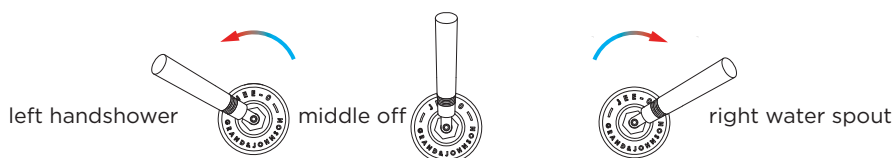
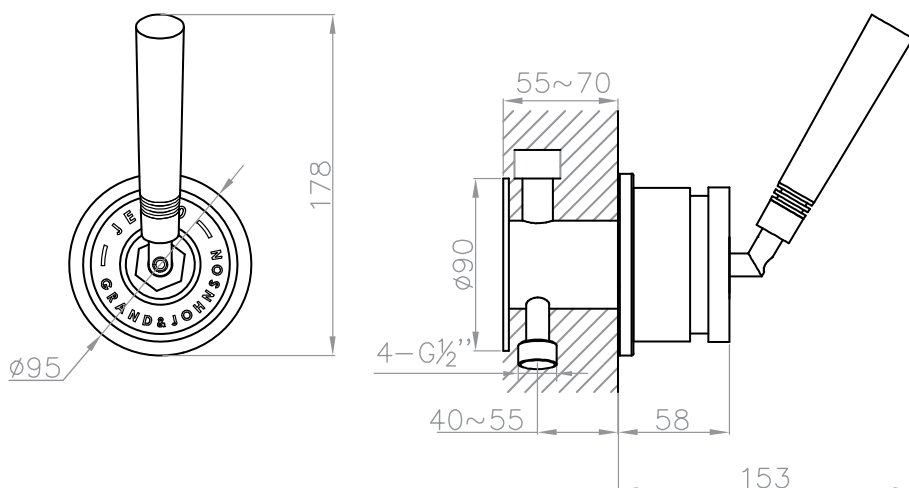




JEE-O soho mixer two way valve version



inlet hot inlet cold



Article code:	701-2200 ● RAW	Connection:	4 x G 1/2" (ø15mm / 0.6")
	701-2202 ● 1.5 Electro powder spray hammercoated black	Thread:	British Standard Pipe (BSP)
Material:	European mirror glass (6mm) and Stainless Steel r304	Dimension package:	L 28 x W 20 x H 14 cm
Cleaning instructions:	download JEE-O shower and taps manual on our website: www.jee-o.com	Total weight:	2.8 kg
Cartridge:	Sedal ceramic mixing mechanism (progressive), item code 005-0203	Package weight:	0.3 kg
Flow at water of 38°C / 100,4°F:	10l p/m at 3bar pressure	7 year warranty - The general conditions can be found on our website: www.jee-o.com/downloads	
		HS code:	84818011
		Approvals:	SLS BS EN 817