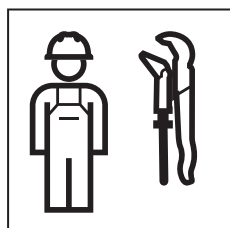
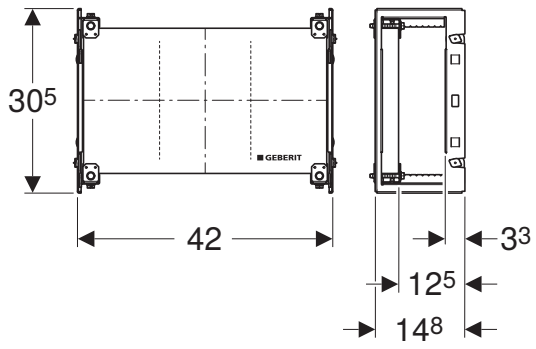


# INSTALLATION MANUAL

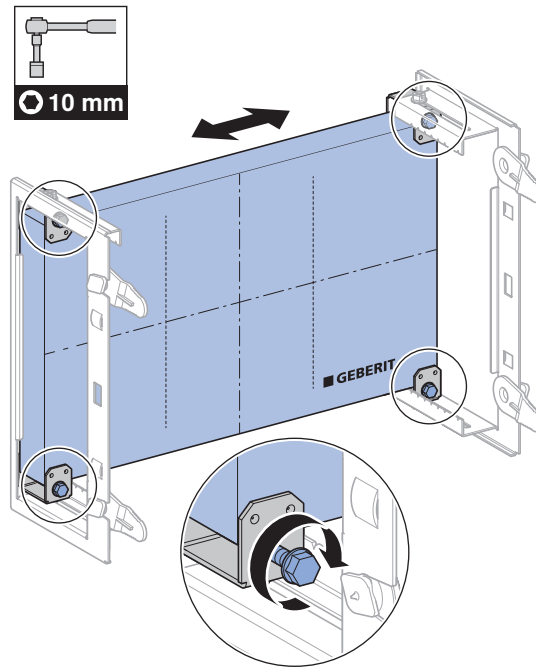
MONTAGEANLEITUNG  
INSTRUCTIONS DE MONTAGE  
ISTRUZIONI PER IL MONTAGGIO

**KNOW  
HOW  
INSTALLED**

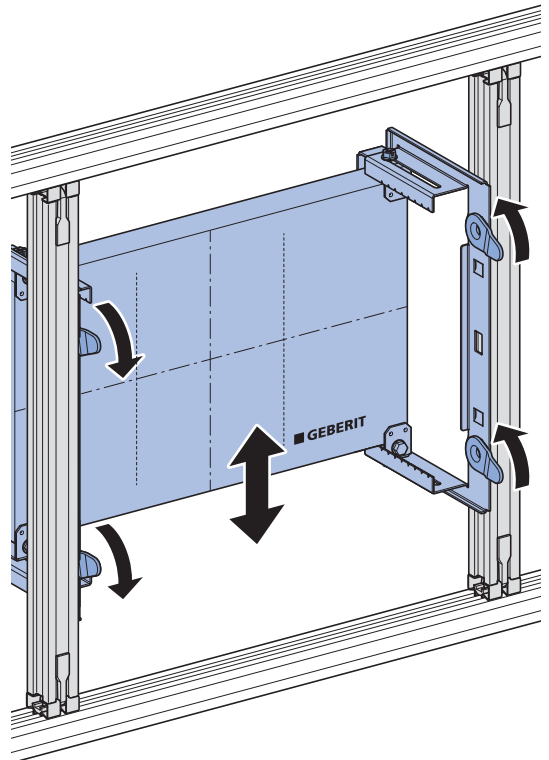




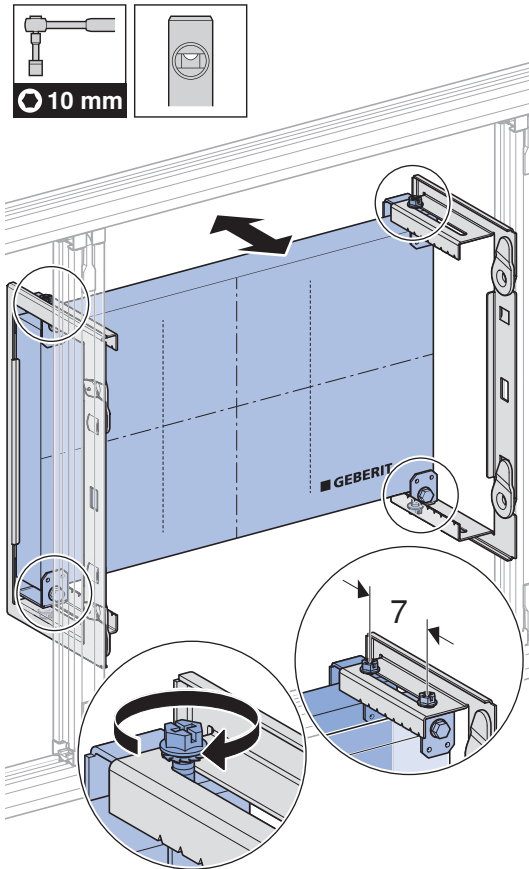
1



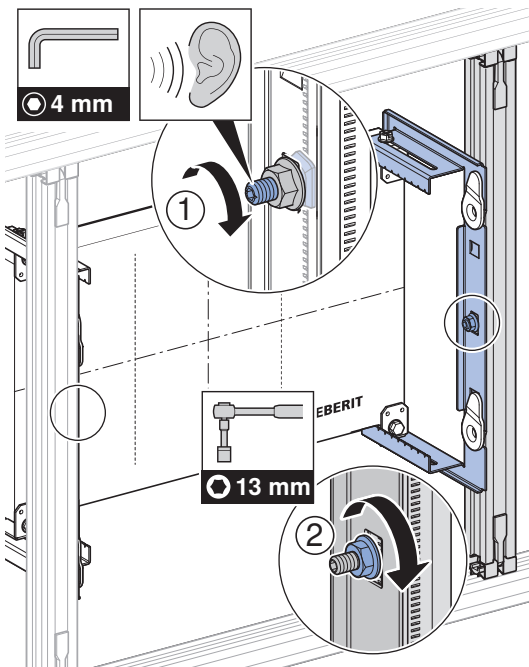
2



3



i





---

**Geberit International AG**  
**Schachenstrasse 77, CH-8645 Jona**  
**documentation@geberit.com**  
**www.geberit.com**