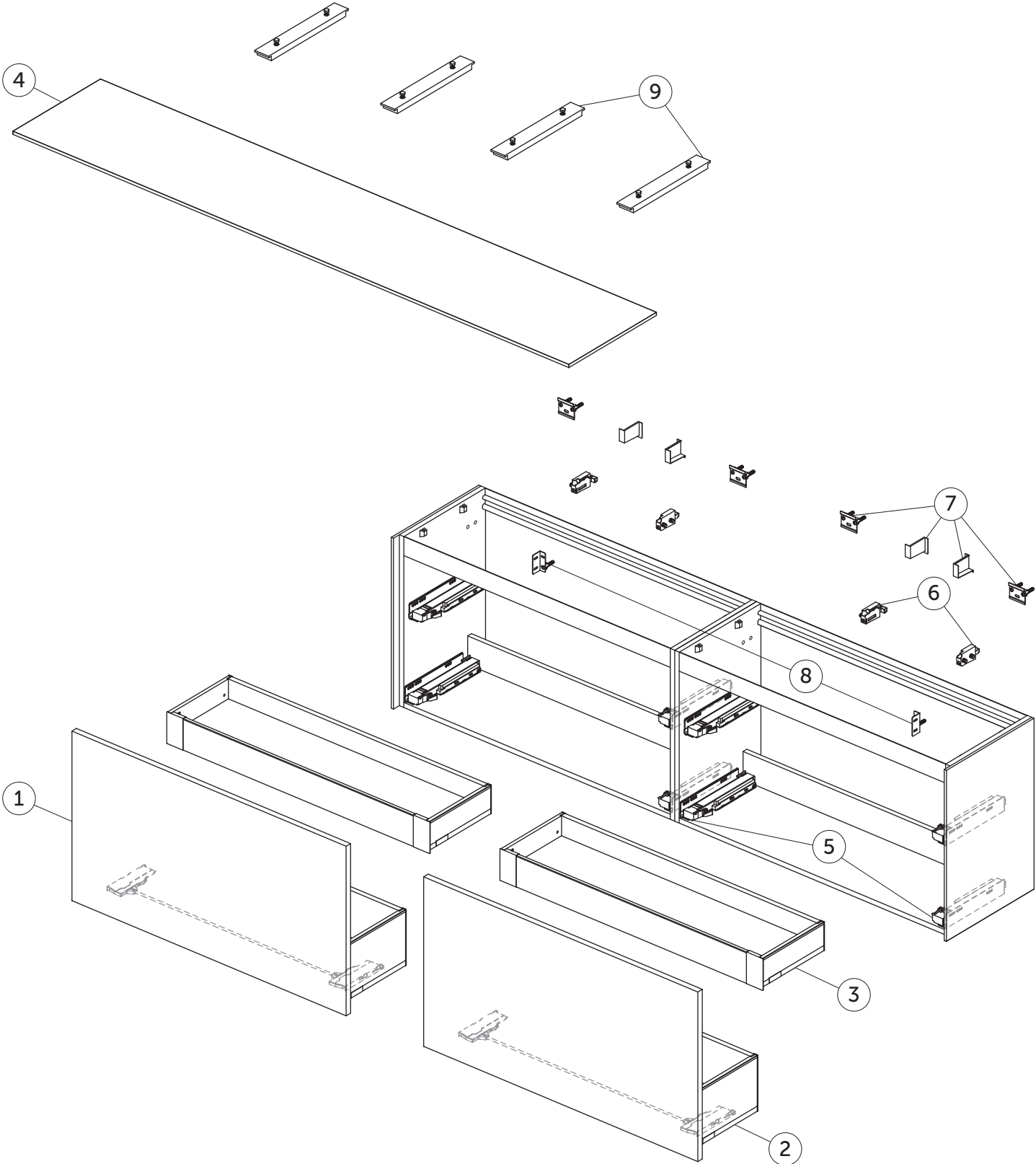


# SPARE PARTS

Basin Unit 2000  
2 external drawers, 2 internal drawers



# SPARE PARTS

Basin Unit 2000  
2 external drawers, 2 internal drawers

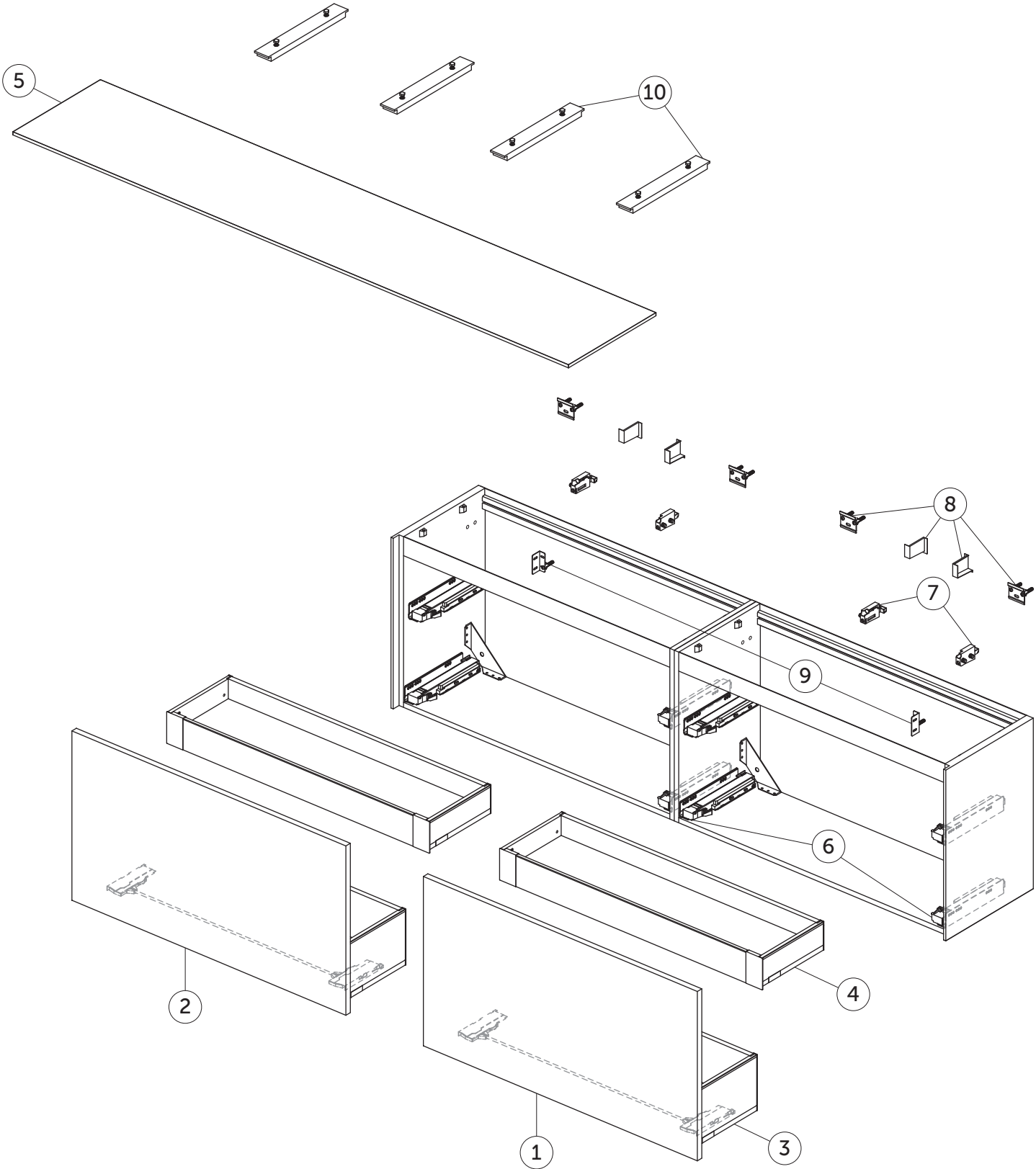
Page 2 of 4

| Item | Description                           | Colour/Finish  | Code No.   | Quantity |
|------|---------------------------------------|--|--|----------|
| 1    | Drawer front panel 980 x 536          | Y1 - Matt White<br>Y2 - Matt Anthracite<br>Y3 - Matt Sunset<br>Y4 - Smoked Oak<br>Y5 - Dark Walnut<br>Y6 - Light Oak | TV735Y1<br>TV735Y2<br>TV735Y3<br>TV735Y4<br>TV735Y5<br>TV735Y6 | 1        |
| 2    | Drawer structure box 100 x 37         | Y2 - Matt Anthracite   | TV736Y2  | 1        |
| 3    | Complete internal drawer 100          | Y2 - Matt Anthracite   | TV737Y2  | 1        |
| 4    | Worktop 1987 x 373 no cut             | Y1 - Matt White<br>Y2 - Matt Anthracite<br>Y3 - Matt Sunset<br>Y4 - Smoked Oak<br>Y5 - Dark Walnut<br>Y6 - Light Oak | TV741Y1<br>TV741Y2<br>TV741Y3<br>TV741Y4<br>TV741Y5<br>TV741Y6 | 1        |
| 5    | Runners 270 Push KIT                  |  | TV72567  | pair     |
| 6    | Hanging brackets KIT 1                |  | RV08267  | pair     |
| 7    | Wall fixation KIT 1 new               |  | TV72667  | 14       |
| 8    | Safety KIT (brackets, screws & plugs) |  | TV38767  | 12       |
| 9    | Worktop adjustable support kit short  |  | TV73467  | pair     |

Manufactured pre June 2021.  
Manufacturer traceability code 9999.

# SPARE PARTS

Basin Unit 2000  
2 external drawers, 2 internal drawers



# SPARE PARTS

Basin Unit 2000  
2 external drawers, 2 internal drawers

Page 4 of 4

| Item | Description                           | Colour/Finish  | Code No.   | Quantity |
|------|---------------------------------------|--|--|----------|
| 1    | Drawer front panel ns rh 980 x 536    | Y1 - Matt White<br>Y2 - Matt Anthracite<br>Y3 - Matt Sunset<br>Y4 - Smoked Oak<br>Y5 - Dark Walnut<br>Y6 - Light Oak | TF026Y1<br>TF026Y2<br>TF026Y3<br>TF026Y4<br>TF026Y5<br>TF026Y6 | 1        |
| 2    | Drawer front panel ns lh 980 x 536    | Y1 - Matt White<br>Y2 - Matt Anthracite<br>Y3 - Matt Sunset<br>Y4 - Smoked Oak<br>Y5 - Dark Walnut<br>Y6 - Light Oak | TF027Y1<br>TF027Y2<br>TF027Y3<br>TF027Y4<br>TF027Y5<br>TF027Y6 | 1        |
| 3    | Drawer structure box ns l/r 100 x 37  | Y2 - Matt Anthracite   | TF028Y2  | 1        |
| 4    | Complete internal drawer ns l/r 100   | Y2 - Matt Anthracite   | TF029Y2  | 1        |
| 5    | Worktop ns 1987 x 373 no cut          | Y1 - Matt White<br>Y2 - Matt Anthracite<br>Y3 - Matt Sunset<br>Y4 - Smoked Oak<br>Y5 - Dark Walnut<br>Y6 - Light Oak | TF030Y1<br>TF030Y2<br>TF030Y3<br>TF030Y4<br>TF030Y5<br>TF030Y6 | 1        |
| 6    | Runners 270 Push KIT                  |  | TV72567  | pair     |
| 7    | Hanging brackets KIT 1                |  | RV08267  | pair     |
| 8    | Wall fixation KIT 1 new               |  | TV72667  | 14       |
| 9    | Safety KIT (brackets, screws & plugs) |  | TV38767  | 12       |
| 10   | Worktop adjustable support kit short  |  | TV73467  | pair     |

Manufactured post May 2021.  
Manufacturer traceability code 9999.

Ideal Standard International NV  
Corporate Village – Gent Building  
Da Vincilaan 2  
B1935 – Zaventem  
Belgium

BE +32 (0)2 325 66 33  
BG +359 675 30362  
DE +49 (0)228 521 580  
EG +202 26969700  
FR +33 (0)1 49 38 28 00  
GB 01482 496 318  
GR +30 210 67 90 810  
HR +38591 22 99 304

HU +36 30 6991 594  
IT 800 652 290  
ME +971 4 804 2400  
NL +31 (0)77 355 08 08  
PL +48 71 7868 301/302  
RO +40 21 3223 201/202  
SI 00386 59 919040  
TR +90 216 314 87 87

UA +359 675 30 468  
AL/XK/BA +359 887 709 696  
CZ/SK +420 417 592 179  
DK/NO/SE +45 75 84 10 10  
ES/PT +34 93 561 80 00  
LV/LT/EE +371 673 57 792  
RS/MK/ME +381 11 713 80 58  
RU/MD +7 495 669 23 11

