



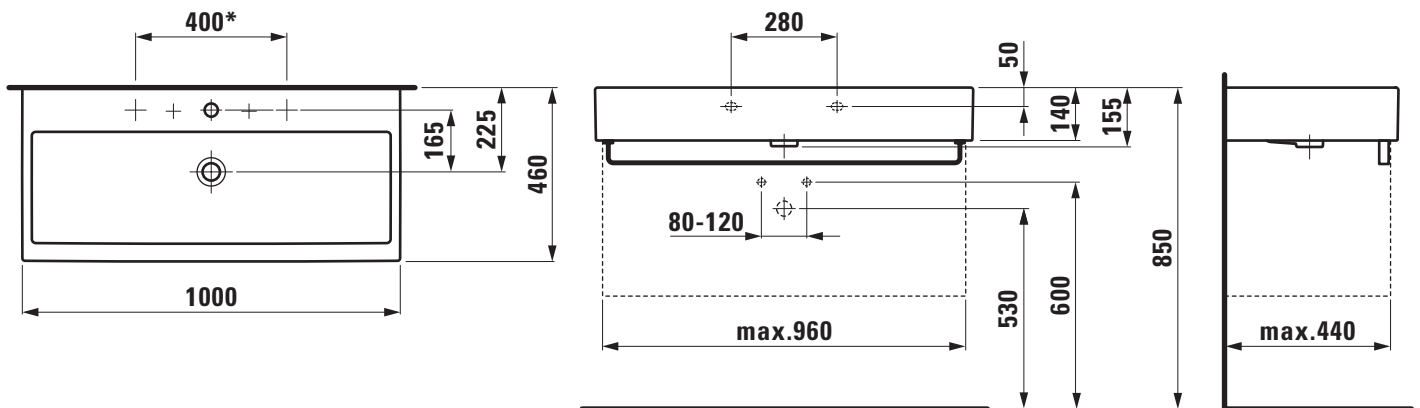
**TECHNICAL DATA**

Order no.	81843.7
Certified to	EN 31
Dimensions	1000 x 460 mm
Inside dimensions of the basin	950 x 300 mm
Specification	Charge 104 – 1 centre tap hole
Special specification	Charge 107 – 2 tap holes, distance 400 mm Charge 108 – 3 tap holes Charge 109 – without tap hole Charge 136 – 3 tap holes, distance 8 inches
Weight	26,5 kg
Accessories excl.	Towel rail, order no. 89542.6
Mounting acc. excl.	Mounting set M10 x 140 mm, order no. 89988.2
Colours	see colour table

**SPECIFICATION TEXT**

Countertop basin Laufen-LIVING CITY, sanitary ceramic  
EN 31  
dimensions 1000 x 460 mm, angular  
1 centre tap hole  
Special feature: overflow channel glazed  
Further options / accessories: 2 tap holes distance 400 mm, 3 tap holes, without tap holes, 1 tap hole without overflow, without tap holes and overflow, 3 tap holes distance 8 inches, towel rail 89542.6, furniture  
Order no. 81843.7

**TECHNICAL DRAWINGS / S 1 : 20**



\* = only Charge 107