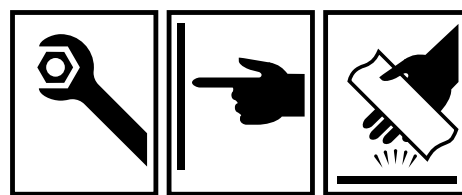
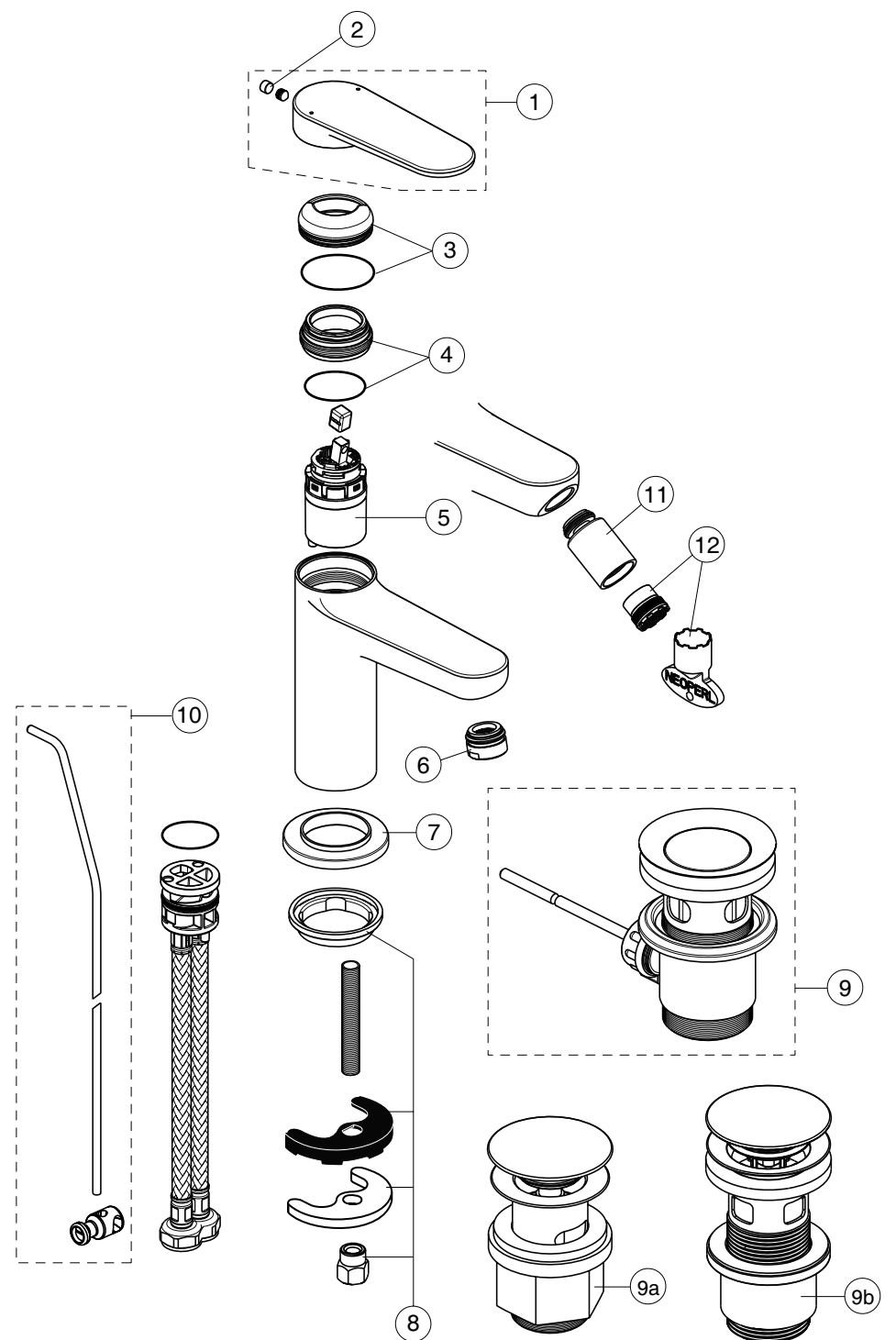
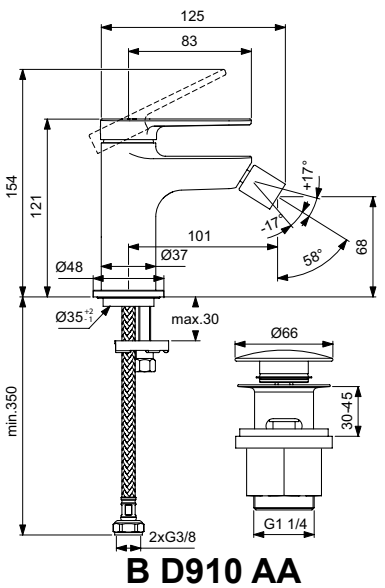
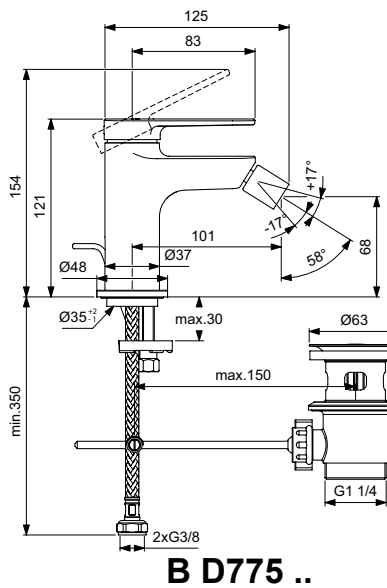
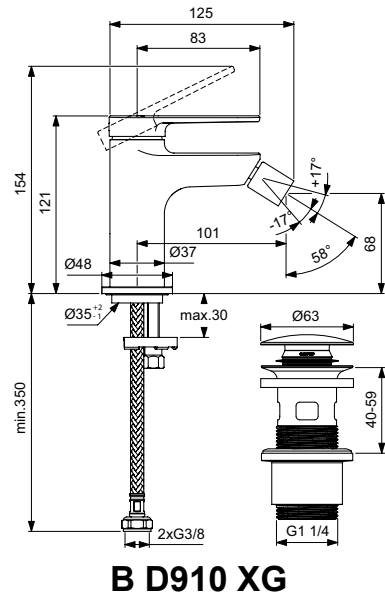


Ordering spares / Ersatzteil - Regelung / Pièces de rechange / Parti di ricambio / Lista de recambios / Onderdelen bestellen (NL/B) / Κωδικοί Ανταλλακτικών / Bestilling af reservedele / Beställning av reservdelar / Bestilling av reservedeler / Резервни части / Запчасти / Części zapasowe / Piese de schimb / Rendelhető alkatrészek / Запасні частини / Резервни делови / Резервни делови / Atsarginių dalių / Tellitavad varuosad / Rezerves daļas / Náhradní díly / Náhradné diely / Yedek parça siparişi / Nadomestni deli

XX = AA, AD, .....

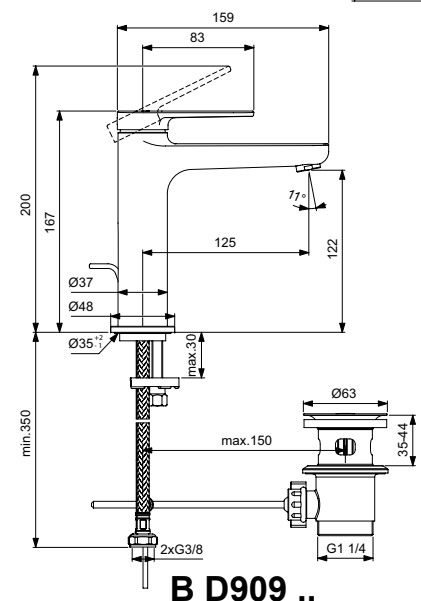
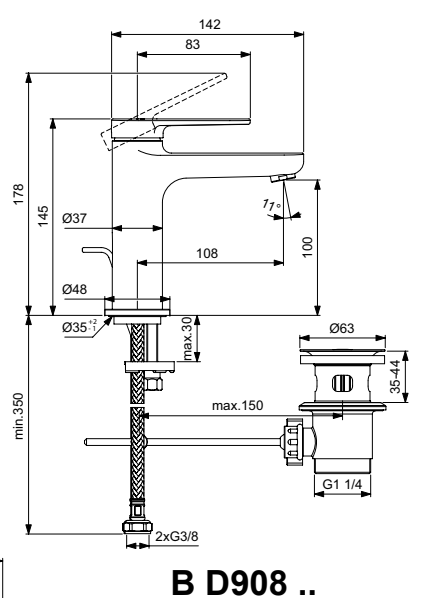
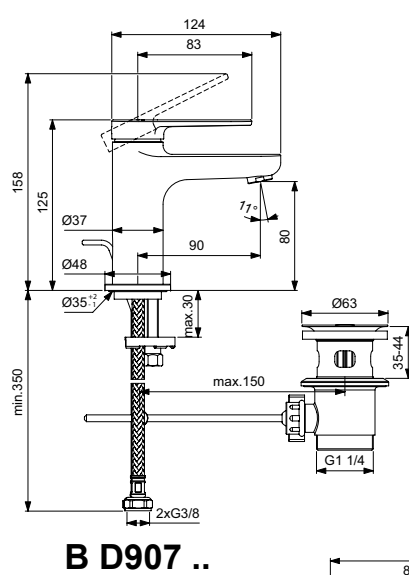
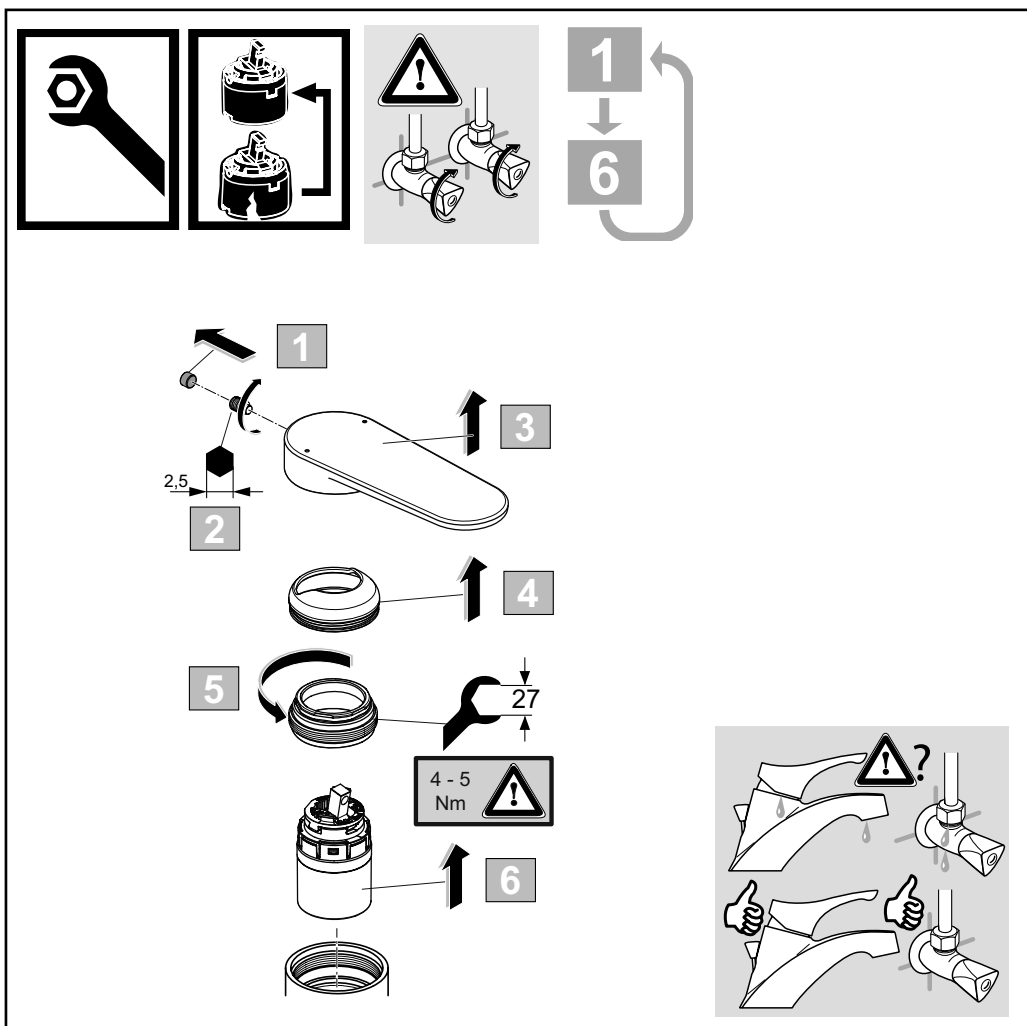
- 1 - B 961923 XX
- 2 - A 963751 XX
- 3 - B 961915 XX
- 4 - B 961916 NU
- 5 - B 961920 NU
- 6 - B 961922 NU
- 7 - A 861227 XX
- 8 - A 964520 NU
- 9 - B 960853 XX
- A 962991 XG
- 9a - B 961705 AA
- 9b - E 1482 XX
- 10 - B 960900 XX
- 11 - A 861421 XX
- 12 - B 961901 NU



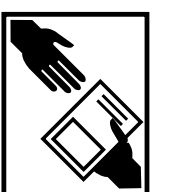
Ideal Standard

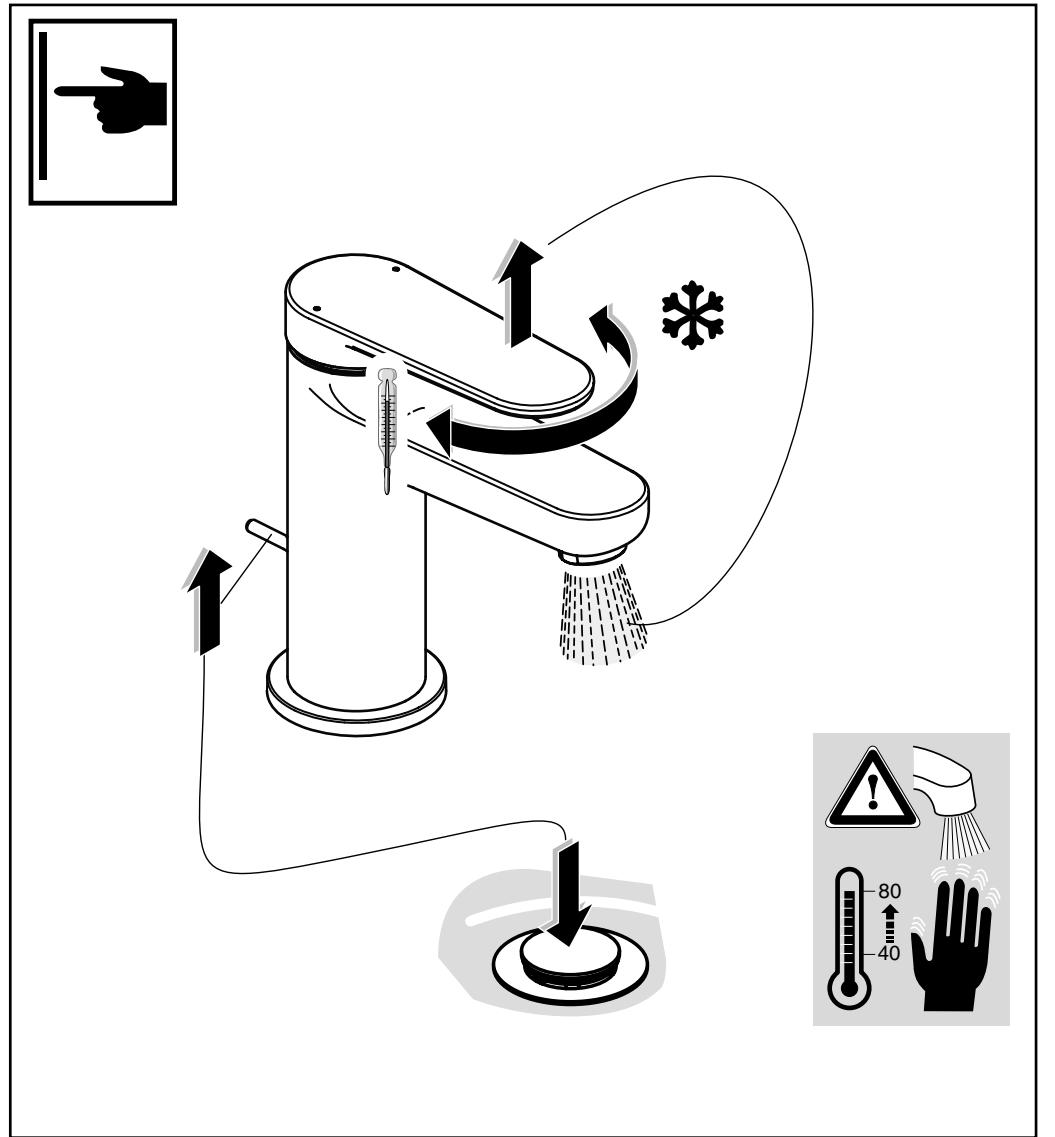
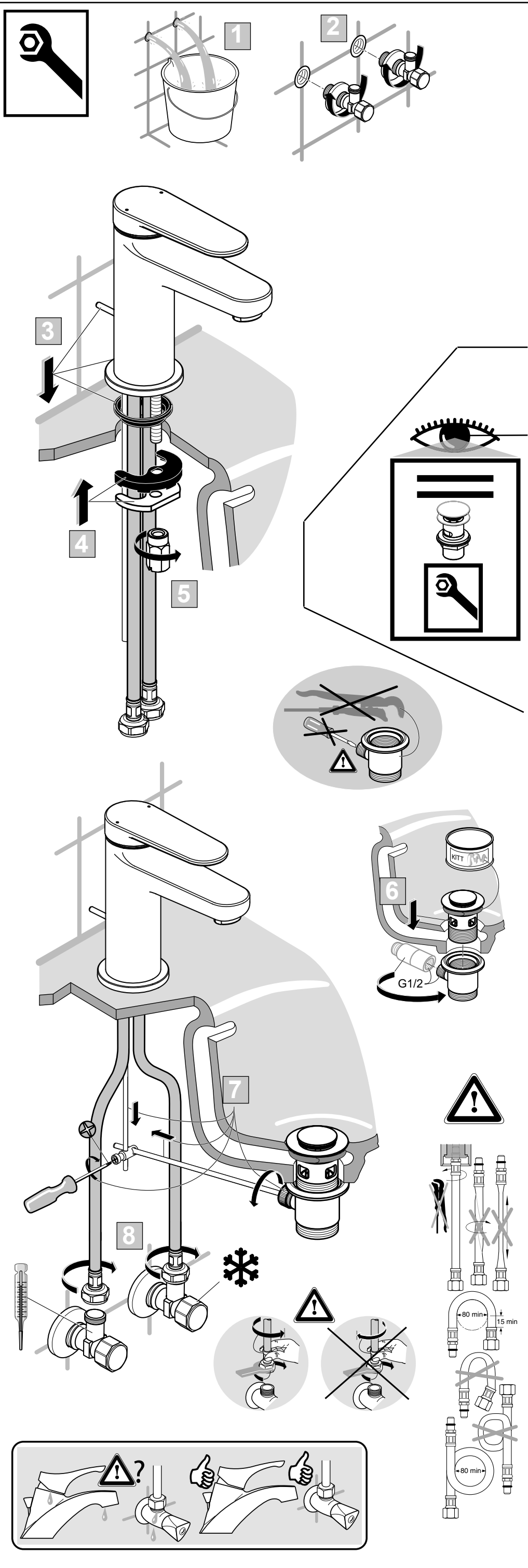
**CERAFINE O NUOVO**

02.2024 / B565379



Ideal Standard International NV  
Corporate Village – Gent Building  
Da Vincilaan 2  
1935 Zaventem  
Belgium  
<https://www.idealstandard.com>





**Temperature Adjustment:** A diagram shows the temperature stop being adjusted with a screwdriver. A thermometer icon indicates the temperature range.

**Pressure Adjustment:** A diagram shows the pressure stop being adjusted with a screwdriver. A pressure gauge icon indicates the pressure range.

P 0,3 MPa 3 bar	T °C	Snowflake °C	4	3	2	1	0
			°C	°C	°C	°C	°C
50°C	15°C	15°C	27	33	41	48	50
65°C	15°C	15°C	33	42	53	63	65
85°C	15°C	15°C	41	53	68	83	85

P	bar	MAX. 10 0,5	5 1		<b>Q</b> (3 bar)
T	°C	MAX. 80	65 40		<b>l/min</b>
					3,8