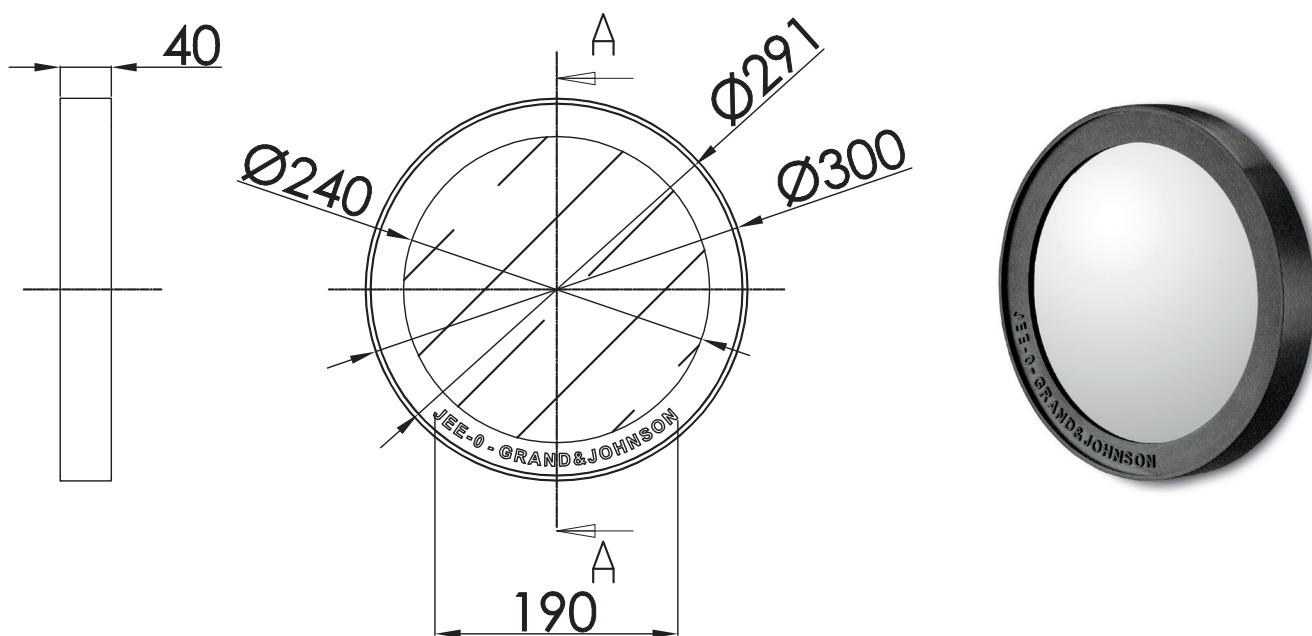




JEE-O soho mirror 30



Article code:

701-0110

● RAW

701-0112

● 1.5 Electro powder spray hammercoated black

Material:

European mirror glass (6mm) and
Stainless Steel r304

Cleaning instructions:

download JEE-O shower and taps manual
on our website: www.jee-o.com

Dimension package:

L33,5 x B33,5 x H7,5 cm

Total weight:

1,86 kg

Package weight:

0.21 kg

7 year warranty - The general conditions can be
found on our website: www.jee-o.com/downloads

HS code:

70099200