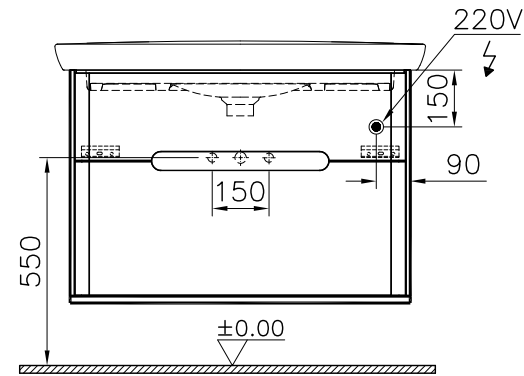
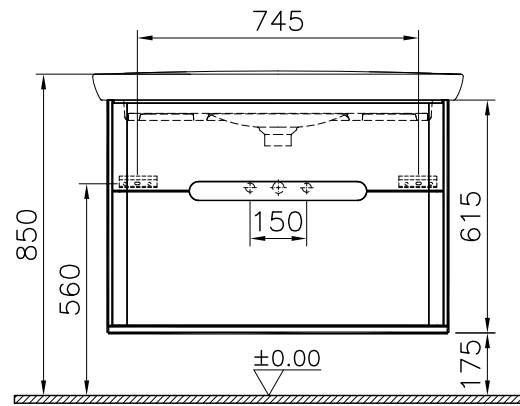
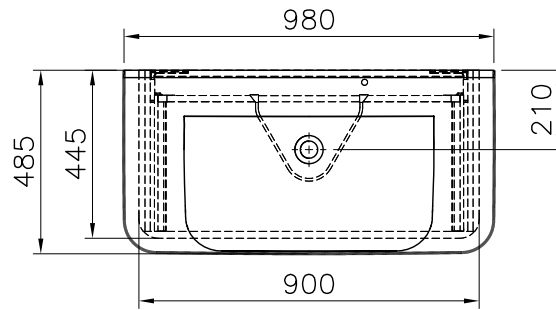
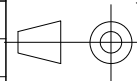


Theoretic Mass(kg)		Revision	
Surface Area(dm ²)		A4	

Thread	Hole	Shaft



1	1	Washbasin Unit		60826					
item	Quantity	Part Name		Drawing No		Material		Material Class	
		Series	Material			Material Class			
		SENTO	Washbasin Unit						
		Drawn By	Controlled By	Approved By	Date	Drawing No	Scale	VitrA® ARTEMA®	
		G.GULTER	M.EVCI	H.ALACA	16.11.2016	60826	1/20		
R.S	Description	Date	NAME						



This drawing can only be used for the intended purposes. Unauthorized copying is strictly prohibited.