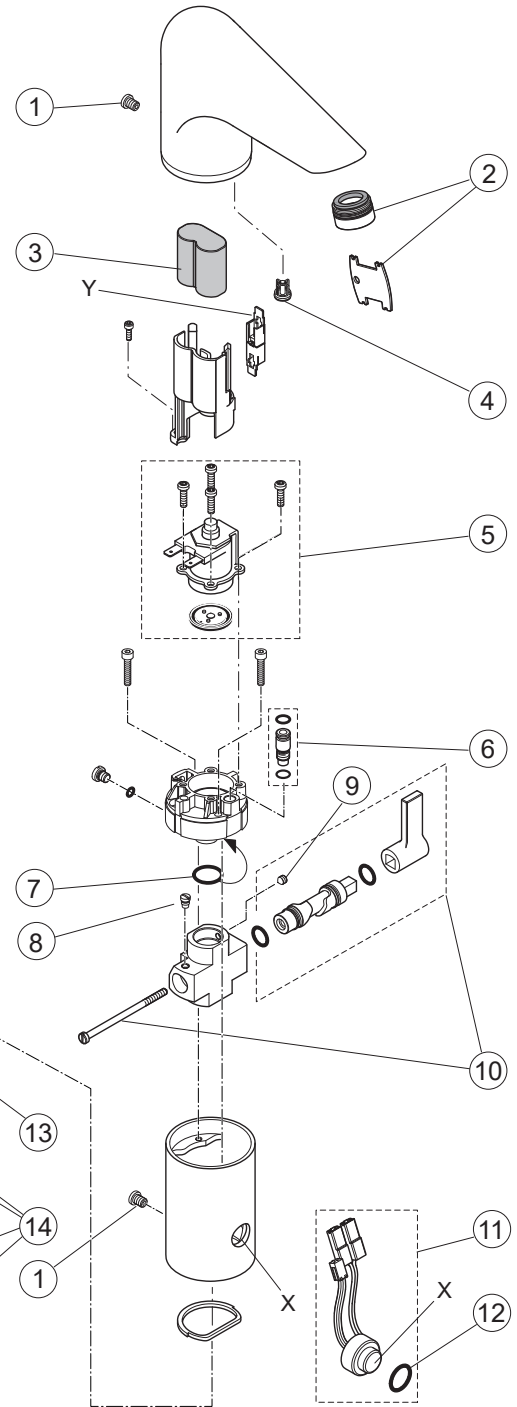
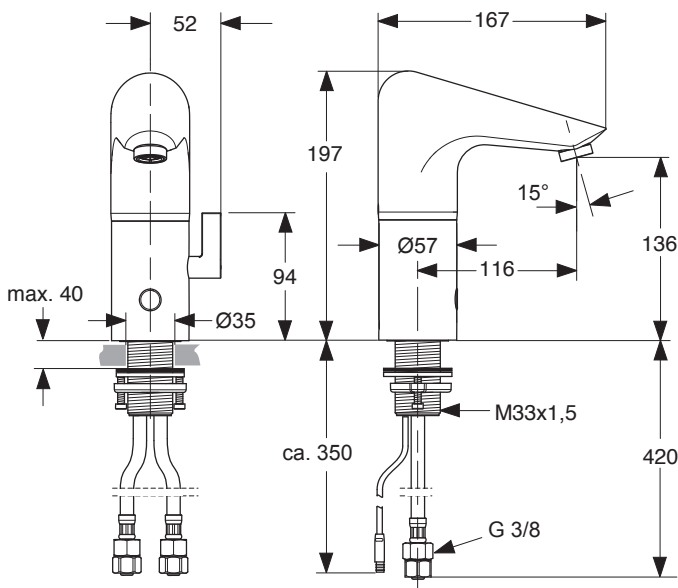
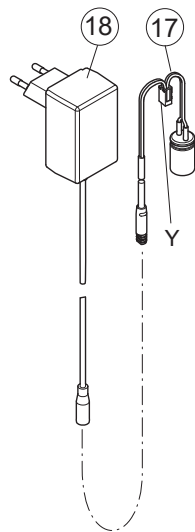


Produced from: **May 2021**



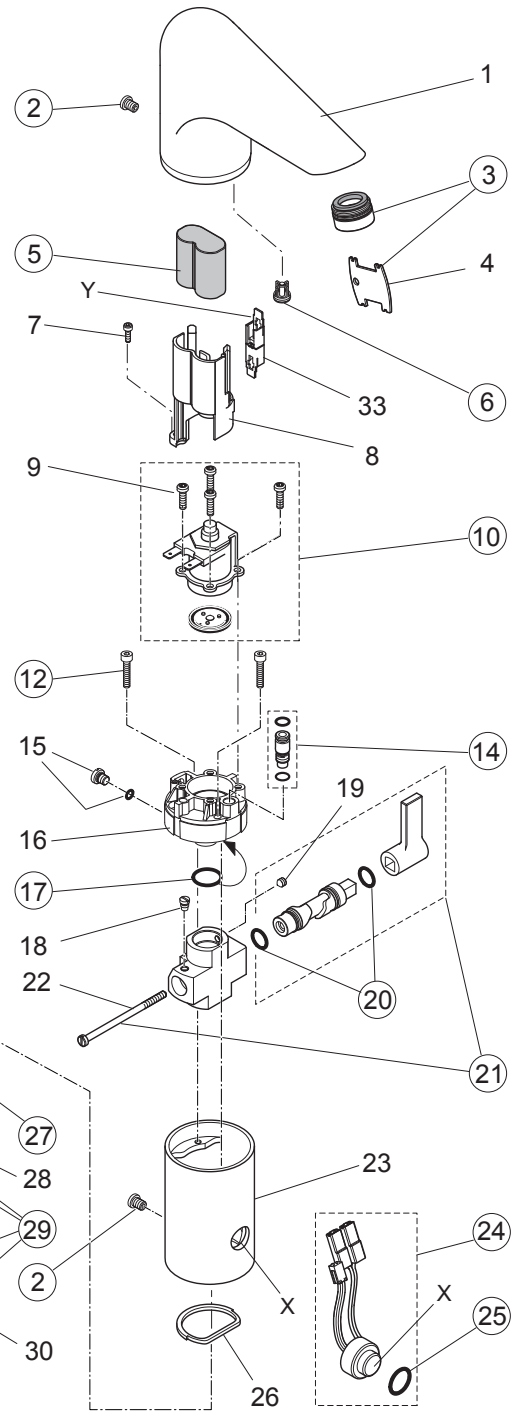
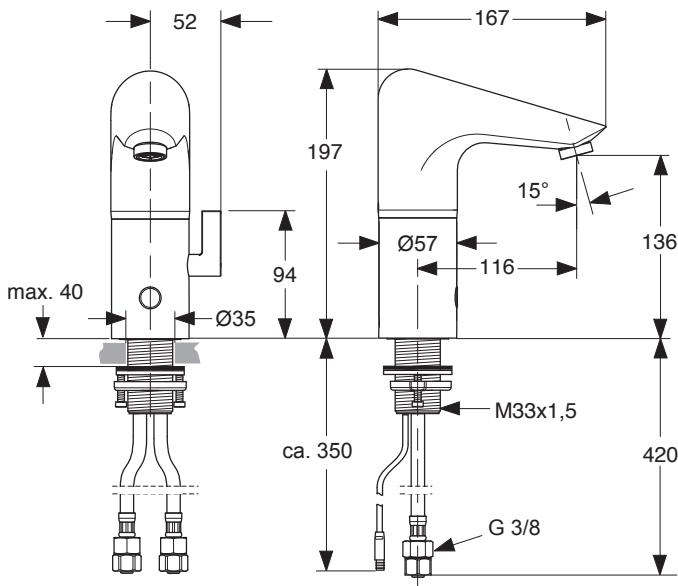
Basin Spout Electronic
with Temperature control
with Battery
chrome **A4152AA**

Basin Spout Electronic
with Temperature control
with 230V Power Supply
chrome **A4154AA**



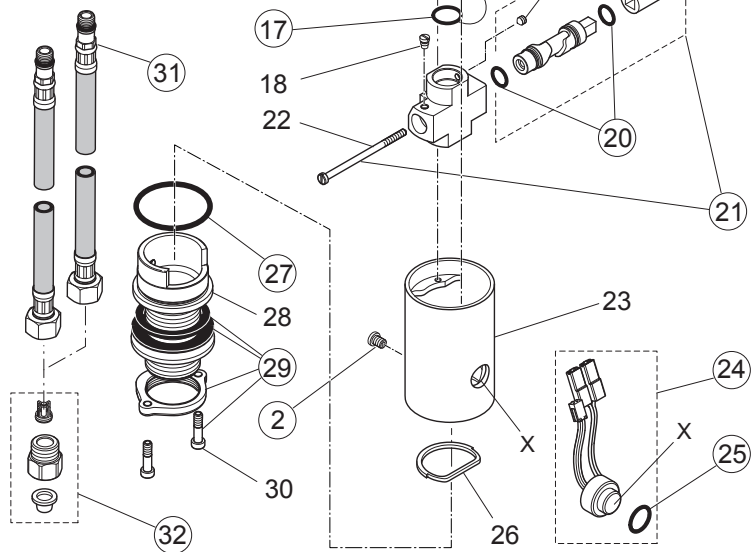
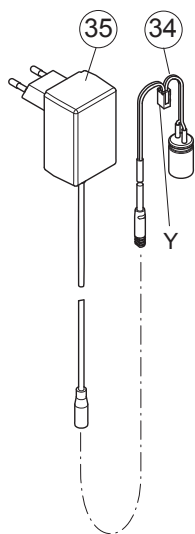
Pos.	Description	Part-Number	Qty.	Pos.	Description	Part-Number	Qty.
1	Set screw M6	A 960 201 AA	1 pcs	14	Fixation-Set Universal	A 960 486 NU	1 Set
2	Aerator M24x1 complete	B 960 457 AA	1 pcs	15	Flex. hose M10x1-G3/8	A 963 600 NU	1 pcs
3	Battery 6V CR-P2	A 960 161 NU	1 pcs	16	Non-return valve complete	A 962 140 AA	2 pcs
4	Non-return valve	A 962 099 NU	1 pcs	17	Cable plug (f. A4154AA)	A 962 216 NU	1 pcs
5	Magnet valve	A 960 151 NU	1 pcs	18	Power supply / Input 100 - 240V AC / 50 - 60Hz Output 6,5V DC / 1A	A 962 217 NU	1 pcs
6	Nipple M8x1 complete	A 962 214 NU	1 pcs				
7	O - Ring Ø 14 x 1,78	A 962 605 NU	2 pcs				
8	Peg screw	A 961 183 NU	1 pcs				
9	Thread pin M5 x 6	A 963 667 NU	1 pcs				
10	Temperature control cpl.	A 962 219 AA	1 pcs				
11	Sensor complete + Pos.12	A 861 344 NU	1 pcs				
12	O - Ring Ø 15,6 x 1,78	A 961 182 NU	2 pcs				
13	O - Ring Ø 36 x 2	A 961 335 NU	1 pcs				

Produced from: Oct. 2017 - May 2021



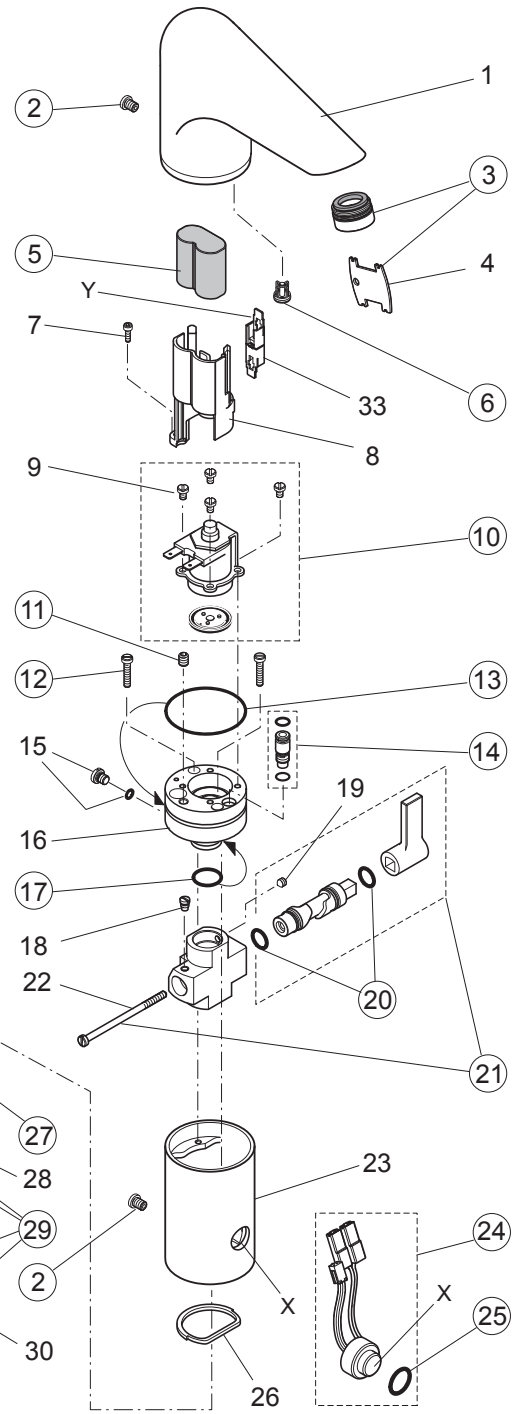
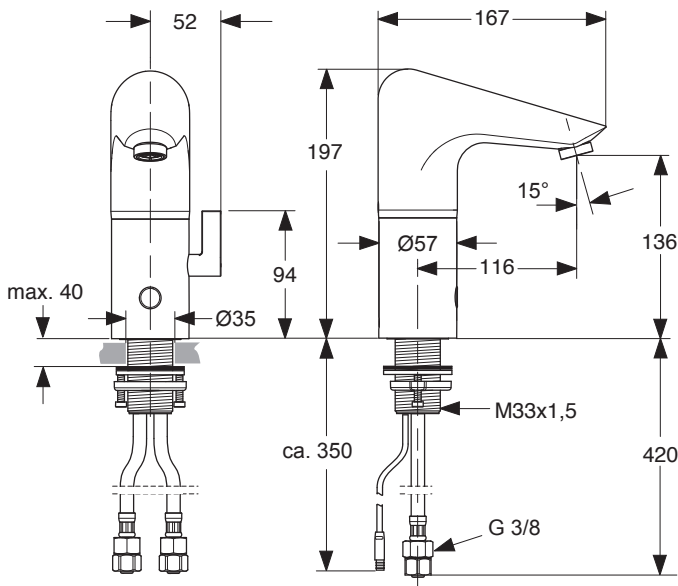
Basin Spout Electronic
with Temperature control
with Battery
chrome **A4152AA**

Basin Spout Electronic
with Temperature control
with 230V Power Supply
chrome **A4154AA**



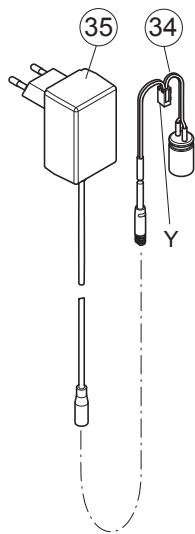
Pos.	Description	Part-Number	Qty.	Pos.	Description	Part-Number	Qty.
1	Body (Electr. spout)			21	Temperature control cpl.	A 962 219 AA	1 pcs
2	Set screw M6	A 960 201 AA	1 pcs	22	Cylindrical screw M4x71,7	A 963 525 NU	3 pcs
3	Aerator M24x1 complete	B 960 457 AA	1 pcs	23	Extension spout		
4	Aerator key			24	Sensor complete + Pos.25	A 861 344 NU	1 pcs
5	Battery 6V CR-P2	A 960 161 NU	1 pcs	25	O - Ring Ø 15,6 x 1,78	A 961 182 NU	2 pcs
6	Non-return valve	A 962 099 NU	1 pcs	26	Sensor holder (tin)		
7	Cylindrical screw M3x10 DIN912			27	O - Ring Ø 36 x 2	A 961 335 NU	1 pcs
8	Battery holder			28	Shaft M33 x 1,5		
9	Cylindrical screw M4x6	A 963 103 NU	2 pcs	29	Fixation-Set Universal	A 960 486 NU	1 Set
10	Magnet valve + Pos.9	A 960 151 NU	1 pcs	30	Cylindrical Screw M5 x 20 DIN7985		
12	Cylindrical screw M4x20	A 963 544 NU	4 pcs	31	Flex. hose M10x1-G3/8	A 963 600 NU	1 pcs
14	Nipple M8x1 complete	A 962 214 NU	1 pcs	32	Non-return valve complete	A 962 140 AA	2 pcs
15	Set screw w. O-Ring Ø5x1			33	Adapter (for A4154AA only)		
16	Body (magnet valve)			34	Cable plug (f. A4154AA)	A 962 216 NU	1 pcs
17	O - Ring Ø 14 x 1,78	A 962 605 NU	2 pcs	35	Power supply / Input 100 - 240V AC / 50 - 60Hz		
18	Peg screw	A 961 183 NU	1 pcs		Output 6,5V DC / 1A	A 962 217 NU	1 pcs
19	Thread pin M5 x 6	A 963 667 NU	1 pcs				
20	O - Ring 11 x 1,5	A 962 218 NU	2 pcs				

Produced from: **Febr. 2008 - Sep. 2017**



Basin Spout Electronic
with Temperature control
with Battery
chrome **A4152AA**

Basin Spout Electronic
with Temperature control
with 230V Power Supply
chrome **A4154AA**



Pos.	Description	Part-Number	Qty.	Pos.	Description	Part-Number	Qty.
1	Body (Electr. spout)			19	Thread pin M5 x 6	A 963 667 NU	1 pcs
2	Set screw M6	A 960 201 AA	1 pcs	20	O - Ring 11 x 1,5	A 962 218 NU	2 pcs
3	Aerator M24x1 complete	B 960 457 AA	1 pcs	21	Temperature control cpl.	A 962 219 AA	1 pcs
4	Aerator key			22	Cylindrical screw M4x71,7	A 963 525 NU	3 pcs
5	Battery 6V CR-P2	A 960 161 NU	1 pcs	23	Extension spout		
6	Non-return valve	A 962 099 NU	1 pcs	24	Sensor complete + Pos.25	A 861 344 NU	1 pcs
7	Cylindrical screw M3x10 DIN912			25	O - Ring Ø 15,6 x 1,78	A 961 182 NU	2 pcs
8	Battery holder			26	Sensor holder (tin)		
9	Cylindrical screw M4x6	A 963 103 NU	2 pcs	27	O - Ring Ø 36 x 2	A 961 335 NU	1 pcs
10	Magnet valve + Pos.9	A 960 151 NU	1 pcs	28	Shaft M33 x 1,5		
11	Thread pin M6x8 DIN913	A 963 752 NU	2 pcs	29	Fixation-Set Universal	A 960 486 NU	1 Set
12	Cylindrical screw M4x20	A 963 544 NU	4 pcs	30	Cylindrical Screw M5 x 20 DIN7985		
13	O - Ring Ø 46 x 1	A 962 213 NU	1 pcs	31	Flex. hose M10x1-G3/8	A 963 600 NU	1 pcs
14	Nipple M8x1 complete	A 962 214 NU	1 pcs	32	Non-return valve complete	A 962 140 AA	2 pcs
15	Set screw w. O-Ring Ø5x1			33	Adapter (for A4154AA only)		
16	Body (magnet valve)			34	Cable plug (f. A4154AA)	A 962 216 NU	1 pcs
17	O - Ring Ø 14 x 1,78	A 962 605 NU	2 pcs	35	Power supply / Input 100 - 240V AC / 50 - 60Hz		
18	Peg screw	A 961 183 NU	1 pcs		Output 6,5V DC / 1A	A 962 217 NU	1 pcs