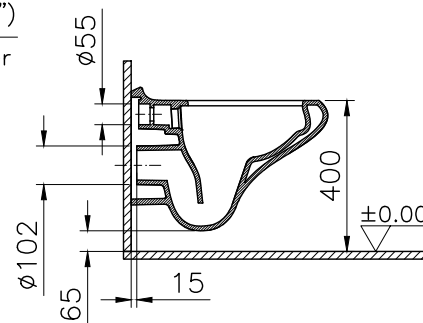
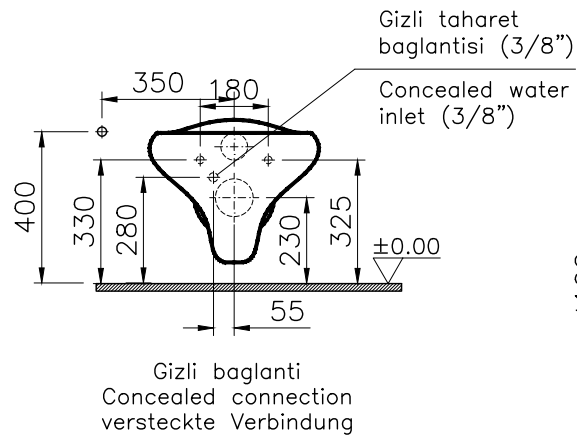
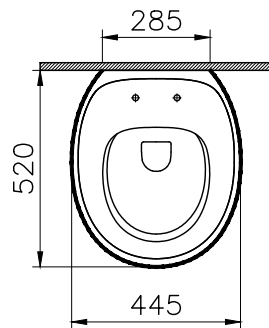


Theoretic Mass(kg)		Revision	
Surface Area(dm ²)		A4	

Thread	Hole	Shaft



1	1	Wall-hung WC pan	4518-0090	Ceramic	
item	Quantity	Part Name	Drawing No	Material	Material Class
		Series	Material	Ceramic	Material Class
		Istanbul	Wall-hung WC pan		
Drawn By	Controlled By	Approved By	Date	Drawing No	Scale
G.GULTER	N.BALTACI	V.SARIGOL	05.12.2016	4518	1/20

R.S	Description	Date	NAME

This drawing can only be used for the intended purposes. Unauthorized copying is strictly prohibited.

