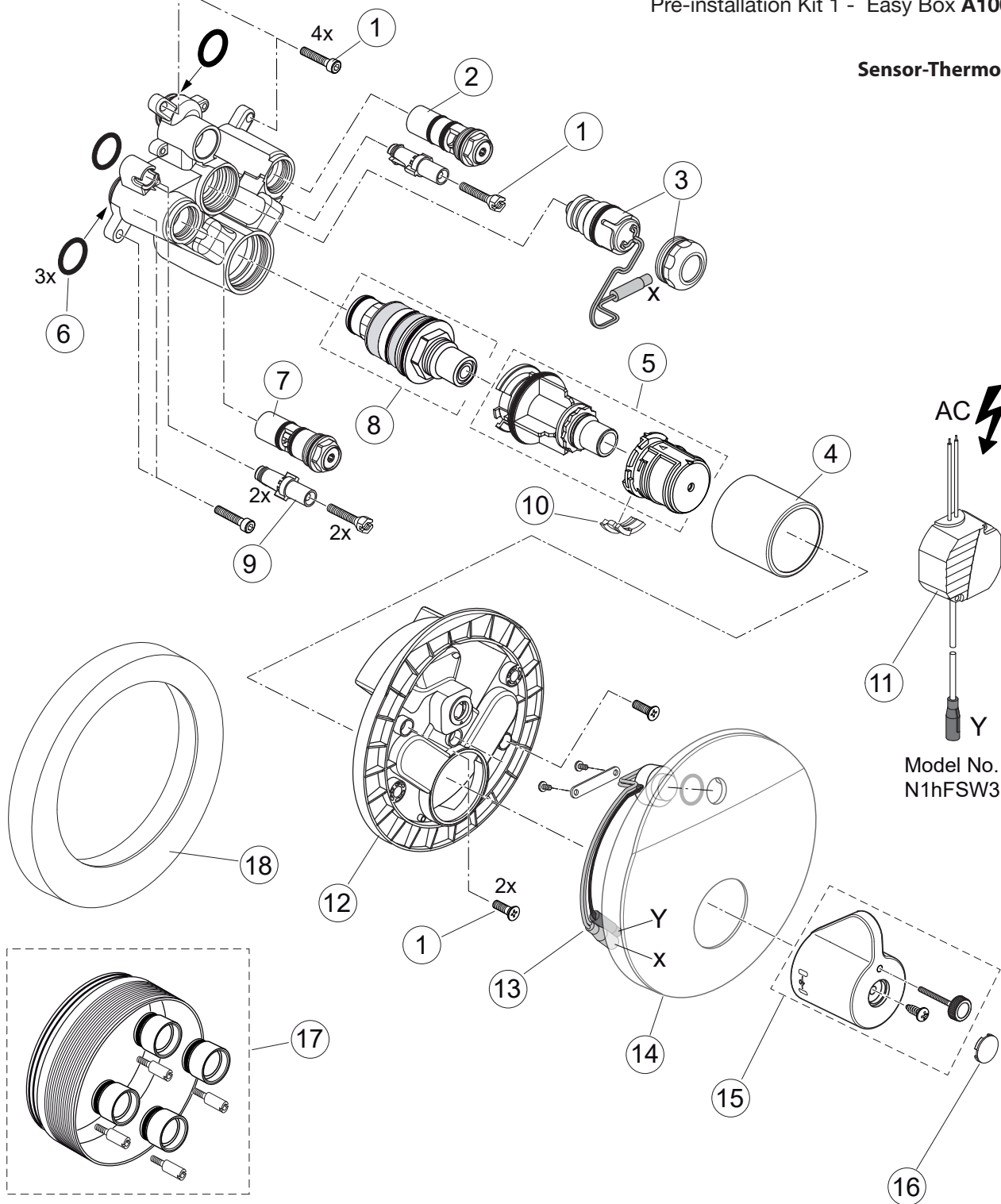




Produced from: April 2021

### Pre-installation Kit 1 - Easy Box A1000NU

### Sensor-Thermostat.

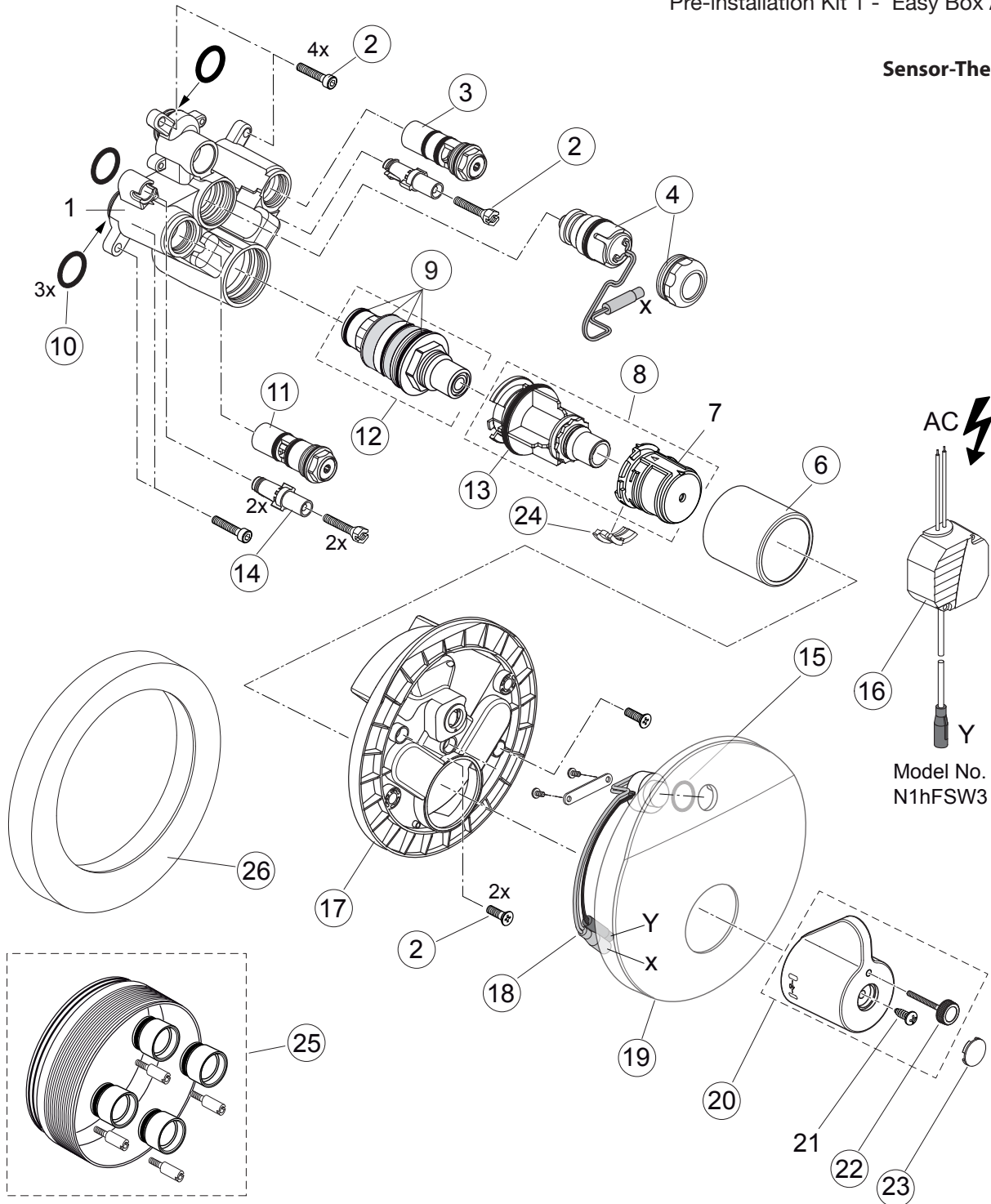


Model No.  
N1hFSW3

Pos.	Description	Part-Number	Qty.	Pos.	Description	Part-Number	Qty.
1	Screw set complete	<b>A 960 890 NU</b>	1 Set	13	Sensor complete	<b>F 961 053 NU</b>	1 Set
2	Stop valve (hot)	<b>F 961 052 NU</b>	1 pcs	14	Escutcheon	<b>F 961 073 AA</b>	1 pcs
3	Solenoidvalve 6V G1/2	<b>F 961 050 NU</b>	1 pcs	15	Temp. handle cpl.	<b>A 961 885 AA*</b>	1 Set
4	Cap	<b>F 961 051 AA</b>	1 pcs	16	Cover cap	<b>E 960 641 AA</b>	1 pcs
5	Temp. adjustment cpl.	<b>A 963 427 NU</b>	1 Set	17	Extension kit 20mm	<b>A 960 704 NU</b>	1 Set
6	O-ring Ø 17,5 x 2,5	<b>A 963 146 NU*</b>	1 Set		Extension kit 40mm	<b>A 962 476 NU</b>	1 Set
7	Stop valve (cold)	<b>F 961 049 NU</b>	1 pcs	18	Distance frame	<b>F 961 057 AA</b>	1 pcs
8	Cartridge thermostat G1/2	<b>A 962 229NU</b>	1 pcs				
9	Adapter srew M5	<b>F 960 903 NU</b>	2 pcs				
10	Stop ring	<b>A 861 114 NU</b>	1 pcs				
11	AC-Adapter / 6,5V DC / 1A	<b>F 961 024 NU</b>	1 pcs				
	Extension cable 2 m	<b>A 960 635 NU</b>	1 pcs				
12	Escutcheon holder cpl.	<b>F 961 054 NU</b>	1 pcs				

\* Universal-Set (not all parts needed)

**Sensor-Thermostat.**



Model No.  
N1hFSW3

Pos.	Description	Part-Number	Qty.	Pos.	Description	Part-Number	Qty.
1	Body Thermostat			16	AC-Adapter / 6,5V DC / 1A	<b>F 961 024 NU</b>	1 pcs
2	Screw set complete	<b>A 960 890 NU</b>	1 Set		Extension cable 2 m	<b>A 960 635 NU</b>	1 pcs
3	Stop valve (hot)	<b>F 961 052 NU</b>	1 pcs	17	Escutcheon holder cpl.	<b>F 961 054 NU</b>	1 pcs
4	Solenoidvalve 6V G1/2*	<b>F 961 050 NU</b>	1 pcs	18	Sensor complete + Pos.15	<b>F 961 053 NU</b>	1 Set
	*special tool required	<b>A 861 257 NU</b>	1 pcs	19	Escutcheon	<b>F 961 073 AA</b>	1 pcs
6	Cap	<b>F 961 051 AA</b>	1 pcs	20	Temp. handle cpl.	<b>A 961 885 AA*</b>	1 Set
7	Temperature control unit			21	Ejot-PT Screw KB50x10		
8	Temp. adjustment cpl.	<b>A 963 427 NU</b>	1 Set	22	Knurled head screw M3x30	<b>A 860 880 NU*</b>	1 Set
9	Repair set	<b>A 962 230 NU</b>	1 Set	23	Cover cap	<b>E 960 641 AA</b>	1 pcs
10	O-ring Ø 17,5 x 2,5	<b>A 963 143 NU</b>	1 Set	24	Stop ring	<b>A 861 114 NU</b>	1 pcs
11	Stop valve (cold)	<b>F 961 049 NU</b>	1 pcs	25	Extension kit 20mm	<b>A 960 704 NU</b>	1 Set
12	Cartridge thermostat G1/2	<b>A 962 164 NU</b>	1 pcs		Extension kit 40mm	<b>A 962 476 NU</b>	1 Set
13	O-ring Ø 37,77 x 2,62	<b>A 962 574 NU</b>	1 pcs	26	Distance frame	<b>F 961 057 AA</b>	1 pcs
14	Adapter srew M5	<b>F 960 903 NU</b>	2 pcs				
15	O - Ring Ø 15,6 x 1,78	<b>A 961 182 NU</b>	2 pcs				

\* Universal-Set (not all parts needed)