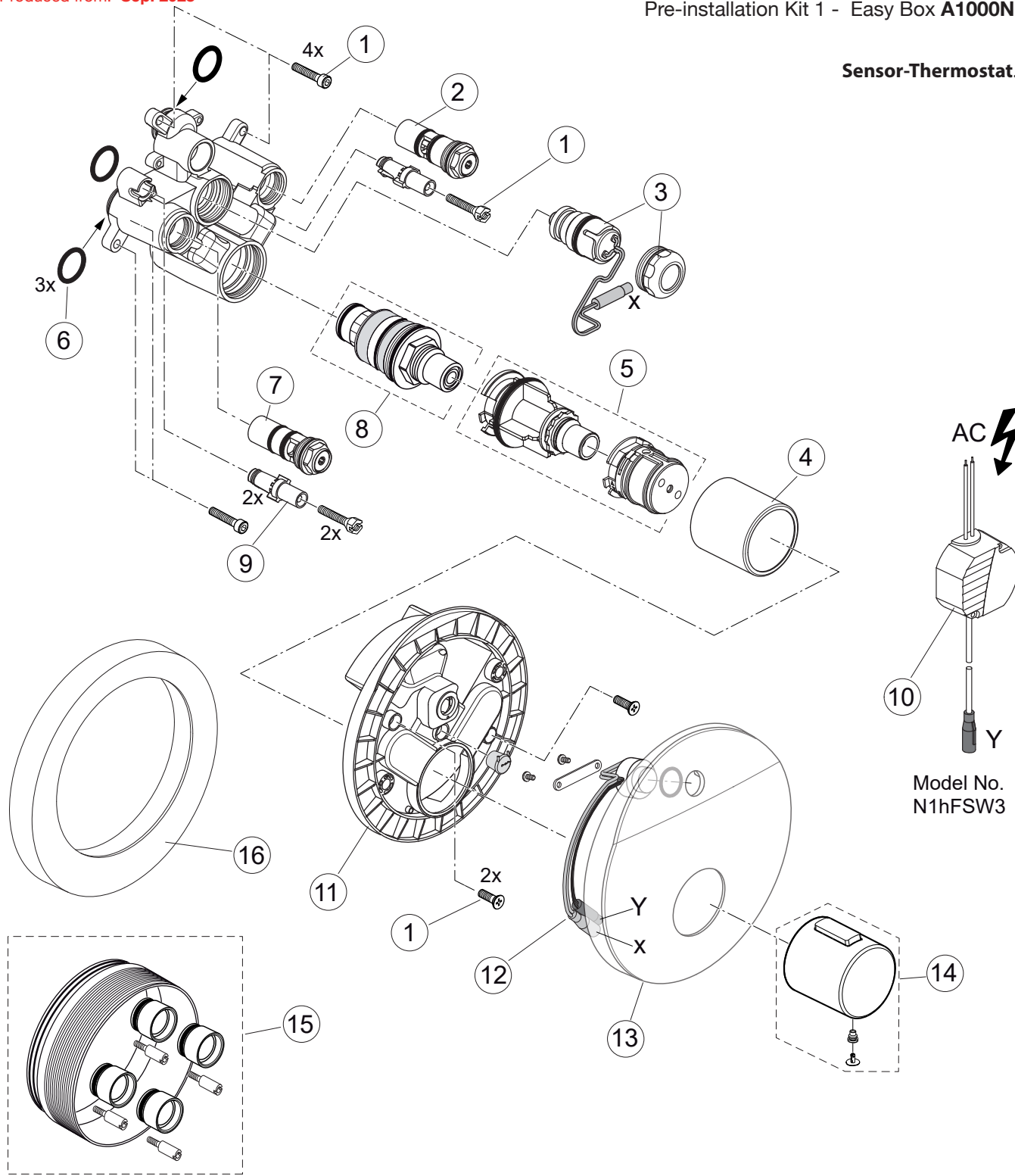




Produced from: **Sep. 2023**

Pre-installation Kit 1 - Easy Box **A1000NU**

Sensor-Thermostat.



Model No.
N1hFSW3

Pos.	Description	Part-Number	Qty.	Pos.	Description	Part-Number	Qty.
1	Screw set complete	A 960 890 NU	1 Set	12	Sensor complete	A 861 704 NU	1 Set
2	Stop valve (hot)	F 961 052 NU	1 pcs	13	Escutcheon	F 961 073 AA	1 pcs
3	Solenoidvalve 6V G1/2*	F 961 050 NU	1 pcs	14	Temp. handle cpl.	A 860 907 AA	1 Set
4	Cap	F 961 051 AA	1 pcs	15	Extension kit 20mm	A 960 704 NU	1 Set
5	Temp. adjustment cpl.	A 963 427 NU	1 Set		Extension kit 40mm	A 962 476 NU	1 Set
6	O-ring Ø 17,5 x 2,5	A 963 146 NU*	1 Set	16	Distance frame	F 961 057 AA	1 pcs
7	Stop valve (cold)	F 961 049 NU	1 pcs				
8	Cartridge thermostat G1/2	A 962 164 NU	1 pcs				
9	Adapter screw M5	F 960 903 NU	2 pcs				
10	AC-Adapter / 6,5V DC / 1A	F 961 024 NU	1 pcs				
	Extension cable 2 m	A 960 635 NU	1 pcs				
11	Escutcheon holder cpl.	F 961 054 NU	1 pcs				

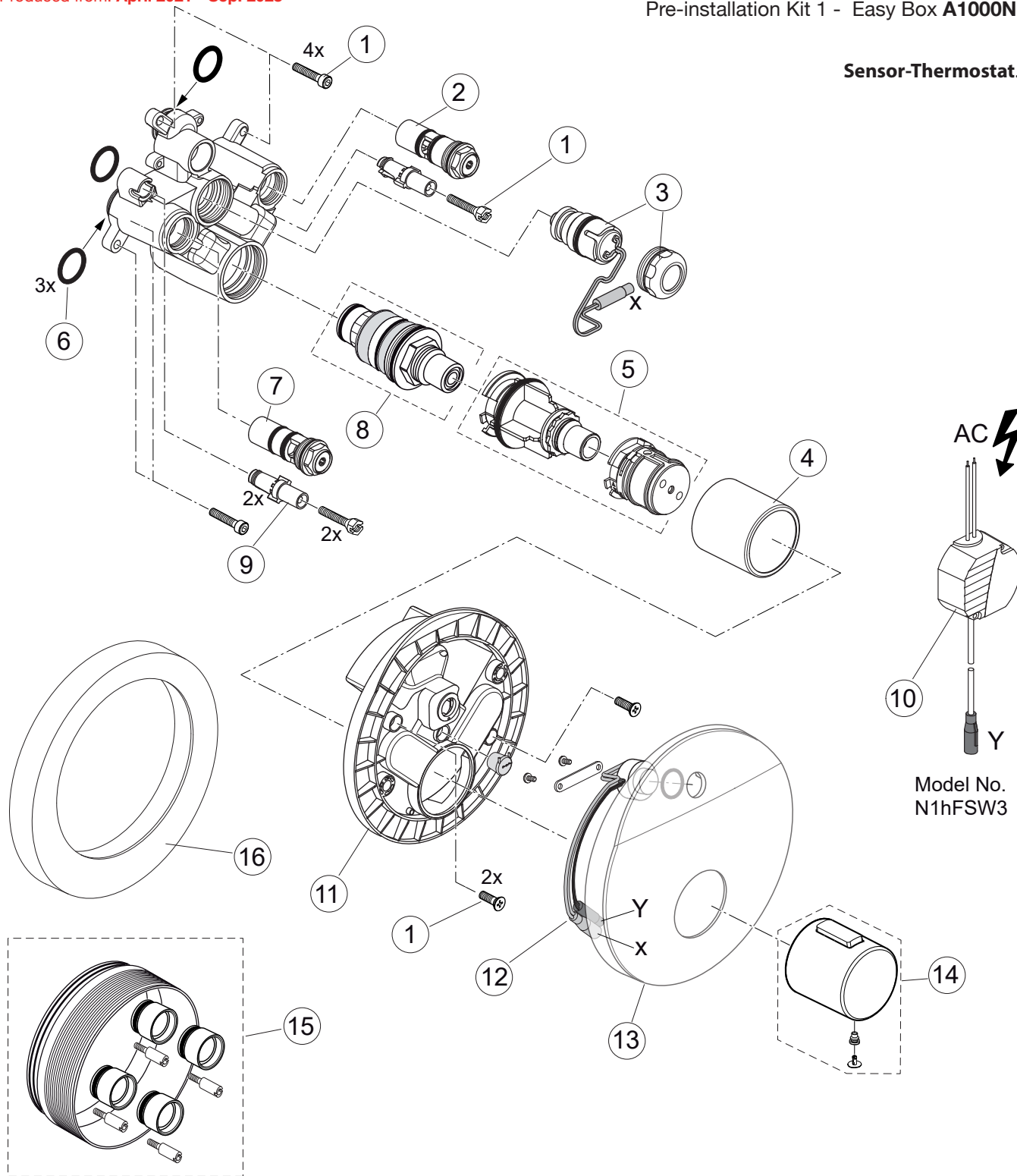
**Universal set (not all parts needed)*



Produced from: April 2021 - Sep. 2023

Pre-installation Kit 1 - Easy Box A1000NU

Sensor-Thermostat.



Model No.
N1hFSW3

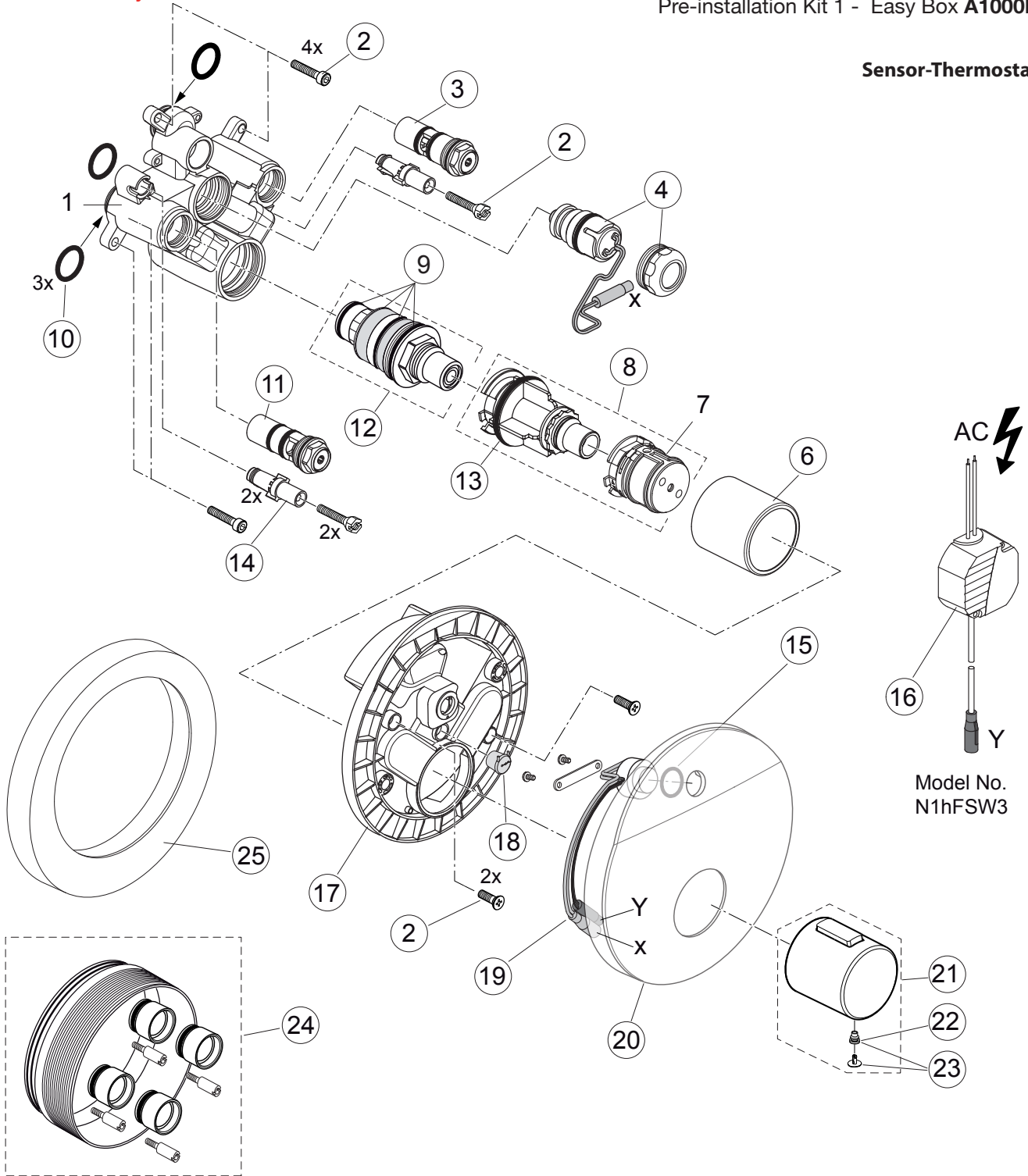
Pos.	Description	Part-Number	Qty.	Pos.	Description	Part-Number	Qty.
1	Screw set complete	A 960 890 NU	1 Set	12	Sensor complete	F 961 053 NU	1 Set
2	Stop valve (hot)	F 961 052 NU	1 pcs	13	Escutcheon	F 961 073 AA	1 pcs
3	Solenoidvalve 6V G1/2*	F 961 050 NU	1 pcs	14	Temp. handle cpl.	A 860 907 AA	1 Set
4	Cap	F 961 051 AA	1 pcs	15	Extension kit 20mm	A 960 704 NU	1 Set
5	Temp. adjustment cpl.	A 963 427 NU	1 Set		Extension kit 40mm	A 962 476 NU	1 Set
6	O-ring Ø 17,5 x 2,5	A 963 146 NU*	1 Set	16	Distance frame	F 961 057 AA	1 pcs
7	Stop valve (cold)	F 961 049 NU	1 pcs				
8	Cartridge thermostat G1/2	A 962 164 NU	1 pcs				
9	Adapter screw M5	F 960 903 NU	2 pcs				
10	AC-Adapter / 6,5V DC / 1A	F 961 024 NU	1 pcs				
	Extension cable 2 m	A 960 635 NU	1 pcs				
11	Escutcheon holder cpl.	F 961 054 NU	1 pcs				

*Universal set (not all parts needed)

Produced from: May 2016 - March 2021

Pre-installation Kit 1 - Easy Box A1000NU

Sensor-Thermostat.



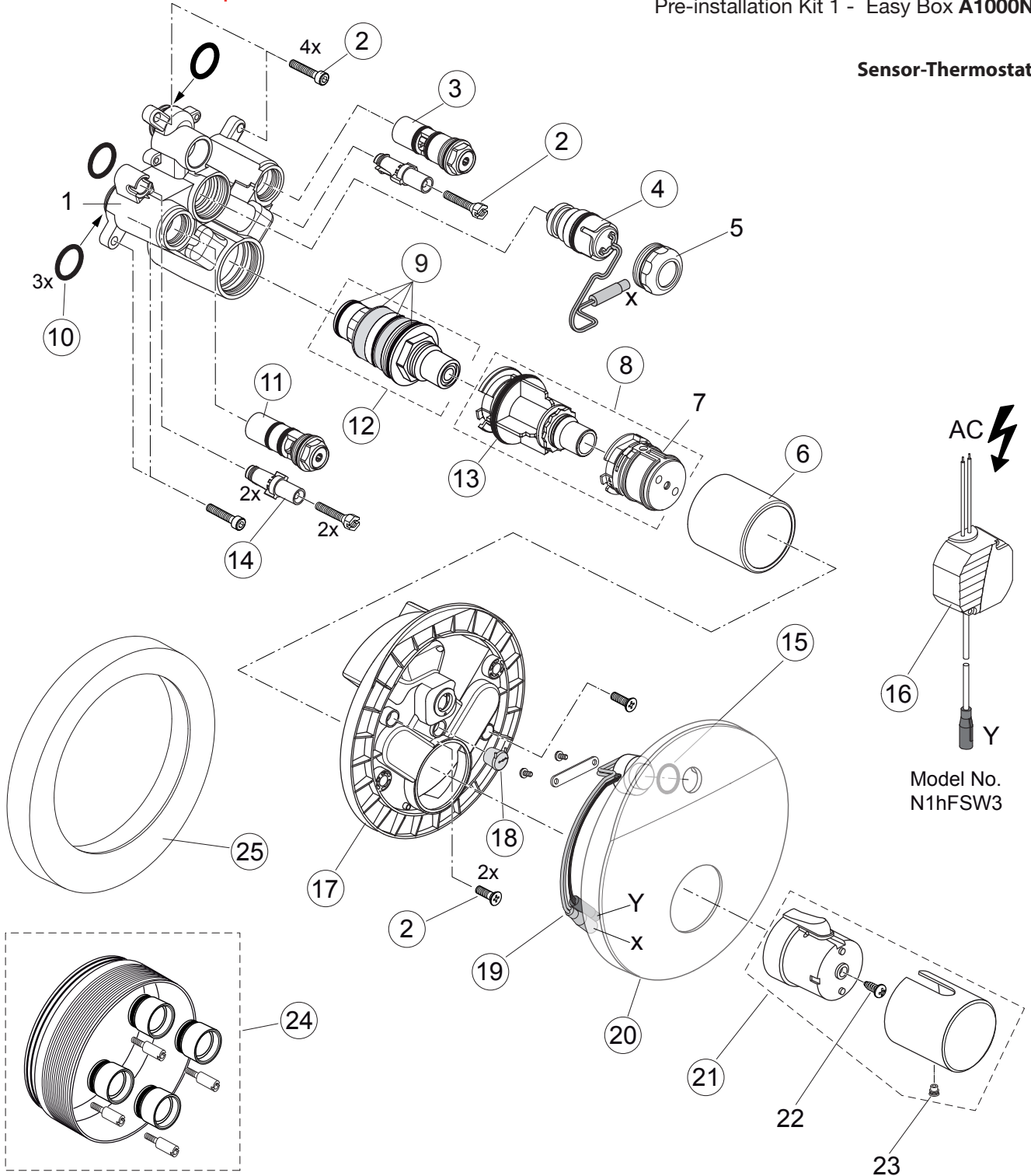
Model No.
N1hFSW3

Pos.	Description	Part-Number	Qty.	Pos.	Description	Part-Number	Qty.
1	Body Thermostat			15	O - Ring Ø 15,6 x 1,78	A 961 182 NU	2 pcs
2	Screw set complete	A 960 890 NU	1 Set	16	AC-Adapter / 6,5V DC / 1A	F 961 024 NU	1 pcs
3	Stop valve (hot)	F 961 052 NU	1 pcs		Extension cable 2 m	A 960 635 NU	1 pcs
4	Solenoidvalve 6V G1/2*	F 961 050 NU	1 pcs	17	Escutcheon holder cpl.	F 961 054 NU	1 pcs
	* special tool required	A 861 257 NU	1 pcs	18	Cable grommet	F 961 074 NU	2 pcs
6	Cap	F 961 051 AA	1 pcs	19	Sensor complete + Pos.15	F 961 053 NU	1 Set
7	Temperature control unit			20	Escutcheon	F 961 073 AA	1 pcs
8	Temp. adjustment cpl.	A 963 427 NU	1 Set	21	Temp. handle cpl.	A 860 907 AA	1 Set
9	Repair set	A 962 230 NU	1 Set	22	Spigot screw M5x5	A 961 095 NU	1 pcs
10	O-ring Ø 17,5 x 2,5	A 963 143 NU	1 Set	23	Cap + Screw	A 962 149 AA	1 Set
11	Stop valve (cold)	F 961 049 NU	1 pcs	24	Extension kit 20mm	A 960 704 NU	1 Set
12	Cartridge thermostat G1/2	A 962 164 NU	1 pcs		Extension kit 40mm	A 962 476 NU	1 Set
13	O-ring Ø 37,77 x 2,62	A 962 574 NU	1 pcs	25	Distance frame	F 961 057 AA	1 pcs
14	Adapter screw M5	F 960 903 NU	2 pcs				

Produced from: June 2014 to April 2016

Pre-installation Kit 1 - Easy Box A1000NU

Sensor-Thermostat.



Model No.
N1hFSW3

Pos.	Description	Part-Number	Qty.	Pos.	Description	Part-Number	Qty.
1	Body Thermostat			15	O - Ring Ø 15,6 x 1,78	A 961 182 NU	2 pcs
2	Screw set complete	A 960 890 NU	1 Set	16	AC-Adapter / 6,5V DC / 1A	F 961 024 NU	1 pcs
3	Stop valve (hot)	F 961 052 NU	1 pcs		Extension cable 2 m	A 960 635 NU	1 pcs
4	Solenoidvalve 6V G1/2	F 961 050 NU	1 pcs	17	Escutcheon holder cpl.	F 961 054 NU	1 pcs
5	Cap nut			18	Cable grommet	F 961 074 NU	2 pcs
6	Cap	F 961 051 AA	1 pcs	19	Sensor complete + Pos.15	F 961 053 NU	1 Set
7	Temperature control unit			20	Escutcheon	F 961 073 AA	1 pcs
8	Temp. adjustment cpl.	A 963 427 NU	1 Set	21	Temp. handle cpl.	A 962 389 AA	1 Set
9	Repair set	A 962 230 NU	1 Set	22	Ejot-PT Screw KB50x10		
10	O-ring Ø 17,5 x 2,5	A 963 143 NU	1 Set	23	Thread pin M5x5 DIN916		
11	Stop valve (cold)	F 961 049 NU	1 pcs	24	Extension kit 20mm	A 960 704 NU	1 Set
12	Cartridge thermostat G1/2	A 962 164 NU	1 pcs		Extension kit 40mm	A 962 476 NU	1 Set
13	O-ring Ø 37,77 x 2,62	A 962 574 NU	1 pcs	25	Distance frame	F 961 057 AA	1 pcs
14	Adapter screw M5	F 960 903 NU	2 pcs				