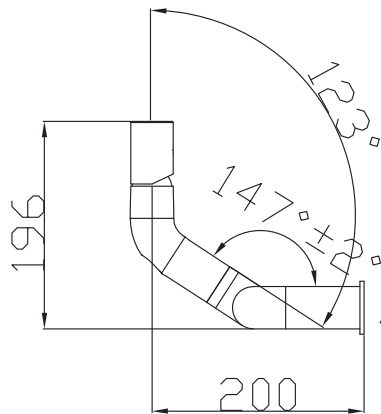
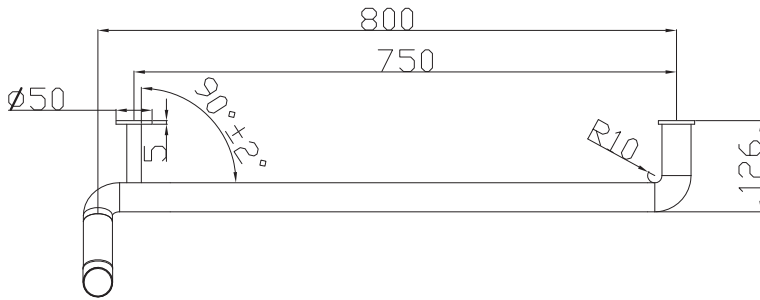




JEE-O flow wall basin mixer towel bar



* shown here 500-1570

Article code:	500-1520 (faucet right, towel bar left) ● Brushed	Connection:	2 x G 1/2" (Ø15mm / 0.6")
	500-1570 (faucet left, towel bar right)* ● Brushed	Thread:	British Standard Pipe (BSP)
Material:	Stainless Steel r304	Dimension package:	L 91 x W 31 x H 15 cm
Cleaning instructions:	download JEE-O shower and taps manual on our website: www.jee-o.com	Total weight:	4.94 kg
Cartridge:	Sedal ceramic mixing mechanism (35mm), item code 005-0101	Package weight:	1.4 kg
Flow at water of 38°C:	7L p/m at 3bar pressure	7 year warranty - The general conditions can be found on our website: www.jee-o.com/downloads	
		HS code:	84818011900