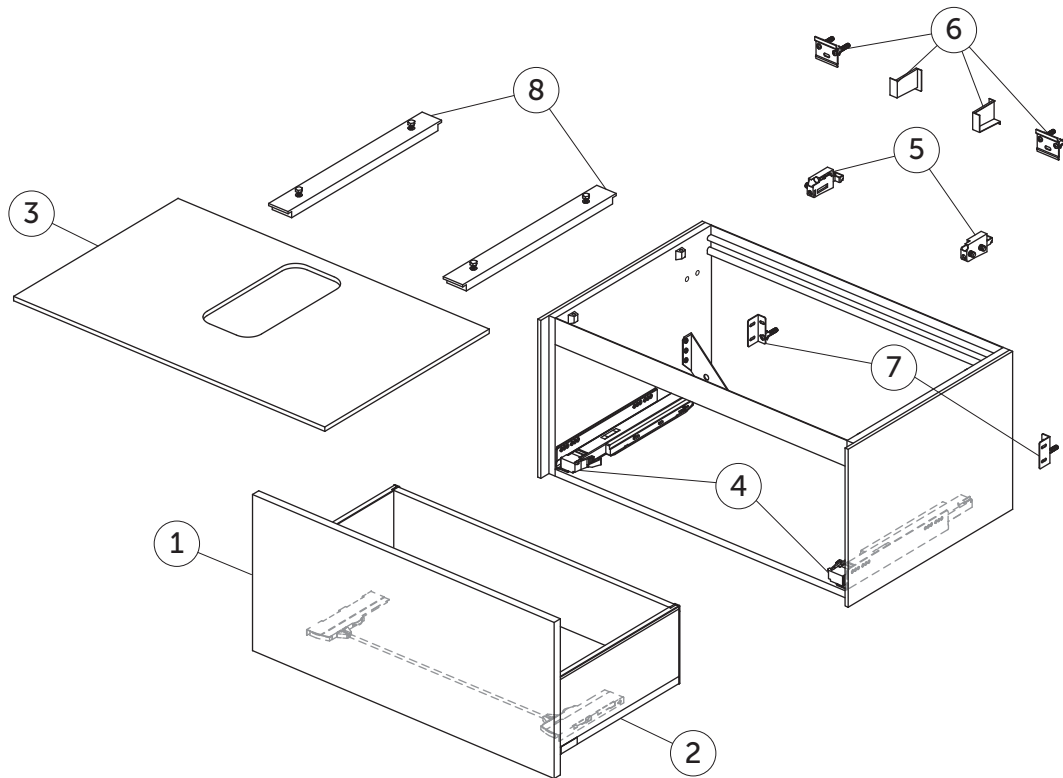


SPARE PARTS

Basin Unit 800
1 drawer

Page 1 of 2

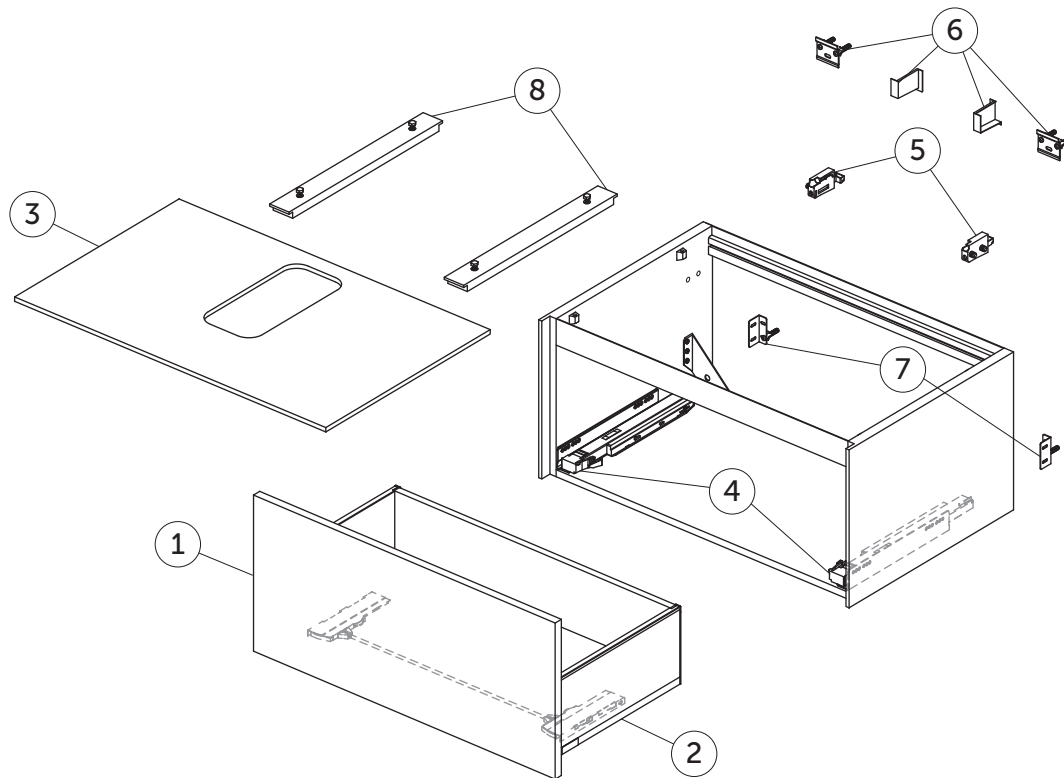


Item	Description	Colour/Finish	Code No.	Quantity
1	Drawer front panel 780 x 356	Y1 - Matt White Y2 - Matt Anthracite Y3 - Matt Sunset Y4 - Smoked Oak Y5 - Dark Walnut Y6 - Light Oak	TV770Y1 TV770Y2 TV770Y3 TV770Y4 TV770Y5 TV770Y6	1
2	Drawer structure box 80 x 50.5	Y2 - Matt Anthracite	TV771Y2	1
3	Worktop 802 x 505 center cut	Y1 - Matt White Y2 - Matt Anthracite Y3 - Matt Sunset Y4 - Smoked Oak Y5 - Dark Walnut Y6 - Light Oak	TV772Y1 TV772Y2 TV772Y3 TV772Y4 TV772Y5 TV772Y6	1
	Worktop 802 x 505 no cut	Y1 - Matt White Y2 - Matt Anthracite Y3 - Matt Sunset Y4 - Smoked Oak Y5 - Dark Walnut Y6 - Light Oak	TV773Y1 TV773Y2 TV773Y3 TV773Y4 TV773Y5 TV773Y6	1
4	Runners 400 Push KIT		TV76967	pair
5	Hanging brackets KIT 1		RV08267	pair
6	Wall fixation KIT 1 new		TV72667	14
7	Safety KIT (brackets, screws & plugs)		TV38767	12
8	Worktop adjustable support KIT		UV24067	pair

Manufactured pre June 2021.
Manufacturer traceability code 9999.

SPARE PARTS

Basin Unit 800
1 drawer



Item	Description	Colour/Finish	Code No.	Quantity
1	Drawer front panel ns 780 x 356	Y1 - Matt White Y2 - Matt Anthracite Y3 - Matt Sunset Y4 - Smoked Oak Y5 - Dark Walnut Y6 - Light Oak	TF056Y1 TF056Y2 TF056Y3 TF056Y4 TF056Y5 TF056Y6	1
2	Drawer structure box ns 80 x 50.5	Y2 - Matt Anthracite	TF057Y2	1
3	Worktop ns 802 x 505 center cut	Y1 - Matt White Y2 - Matt Anthracite Y3 - Matt Sunset Y4 - Smoked Oak Y5 - Dark Walnut Y6 - Light Oak	TF058Y1 TF058Y2 TF058Y3 TF058Y4 TF058Y5 TF058Y6	1
	Worktop ns 802 x 505 no cut	Y1 - Matt White Y2 - Matt Anthracite Y3 - Matt Sunset Y4 - Smoked Oak Y5 - Dark Walnut Y6 - Light Oak	TF059Y1 TF059Y2 TF059Y3 TF059Y4 TF059Y5 TF059Y6	1
4	Runners 400 Push KIT		TV76967	pair
5	Hanging brackets KIT 1		RV08267	pair
6	Wall fixation KIT 1 new		TV72667	14
7	Safety KIT (brackets, screws & plugs)		TV38767	12
8	Worktop adjustable support KIT		UV24067	pair

Manufactured post May 2021.
Manufacturer traceability code 9999.

Ideal Standard International NV
Corporate Village – Gent Building
Da Vincilaan 2
B1935 – Zaventem
Belgium

BE +32 (0)2 325 66 33
BG +359 675 30362
DE +49 (0)228 521 580
EG +202 26969700
FR +33 (0)1 49 38 28 00
GB 01482 496 318
GR +30 210 67 90 810
HR +38591 22 99 304

HU +36 30 6991 594
IT 800 652 290
ME +971 4 804 2400
NL +31 (0)77 355 08 08
PL +48 71 7868 301/302
RO +40 21 3223 201/202
SI 00386 59 919040
TR +90 216 314 87 87

UA +359 675 30 468
AL/XK/BA +359 887 709 696
CZ/SK +420 417 592 179
DK/NO/SE +45 75 84 10 10
ES/PT +34 93 561 80 00
LV/LT/EE +371 673 57 792
RS/MK/ME +381 11 713 80 58
RU/MD +7 495 669 23 11

