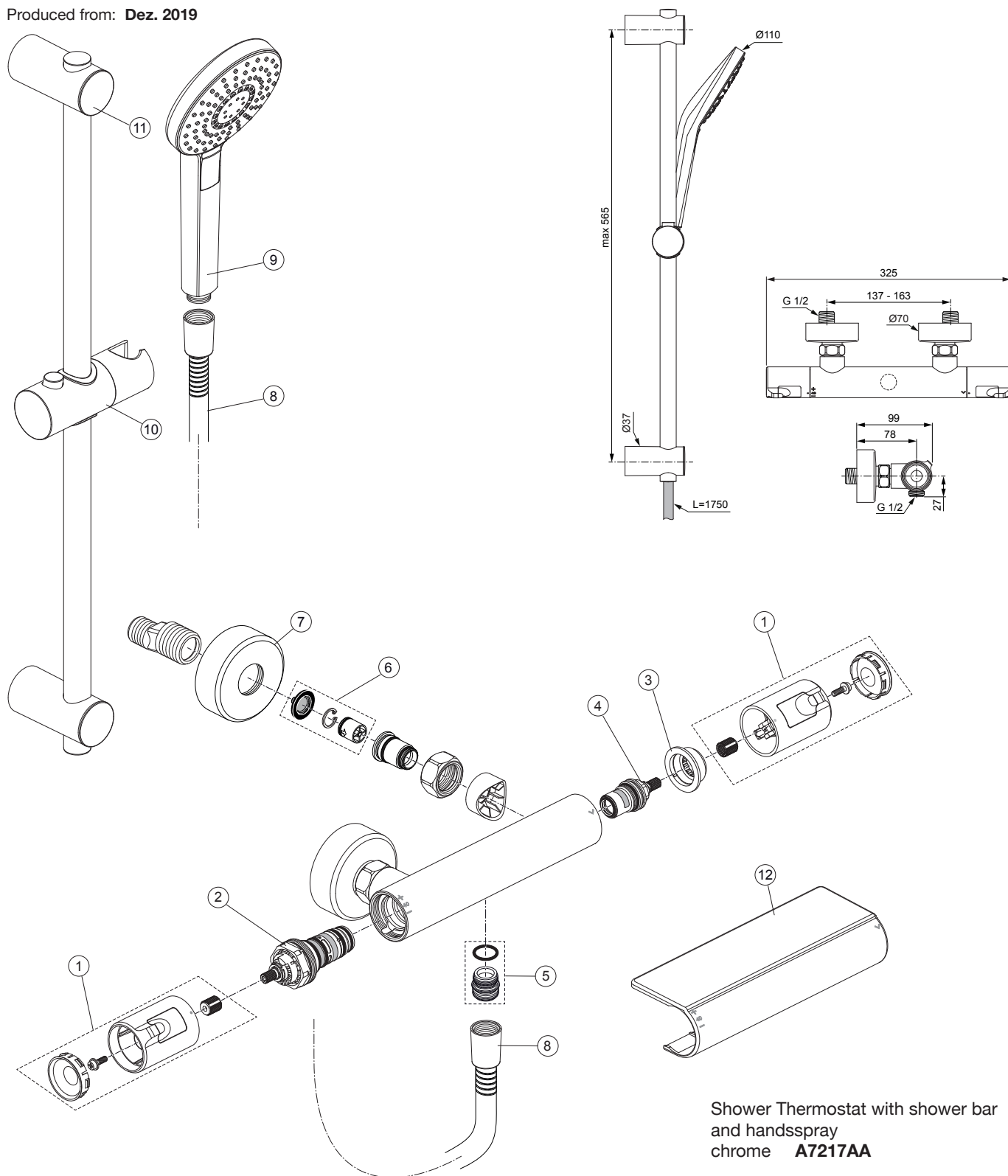




# Ceratherm T50 A7217 ..

Ideal Standard

Produced from: Dez. 2019



Pos.	Description	Part-Number	Qty.	Pos.	Description	Part-Number	Qty.
1	Handle cpl.	<b>A 861 382 AA</b>	1 Set	12	Warp over shelf	<b>A 7215 AA</b>	1 pcs
2	Thermostatic Cartridge cpl.	<b>A 861 371 NU</b>	1 pcs				
3	Stopping	<b>A 861 373 NU</b>	1 pcs				
4	Cartridge G1/2 180° cpl.	<b>A 861 245 NU*</b>	1 Set				
5	Nipple G1/2 outside cpl.	<b>A 861 374 NU</b>	1 Set				
6	Non-return valve	<b>A 861 372 NU</b>	1 Set				
7	Escutcheon	<b>B 960 242 AA</b>	1 pcs				
8	Shower hose 1750 mm	<b>BE 175 AA</b>	1 pcs				
9	Handspray Ø110-3F-8l/min	<b>B 2231 AA</b>	1 pcs				
10	Slider & holder f. handshr.	<b>B 960 976 AA</b>	1 pcs				
11	Wall fixation complete	<b>B 960 972 AA</b>	2 pcs				

\*Universal set (not all parts needed)

Ceratherm T50