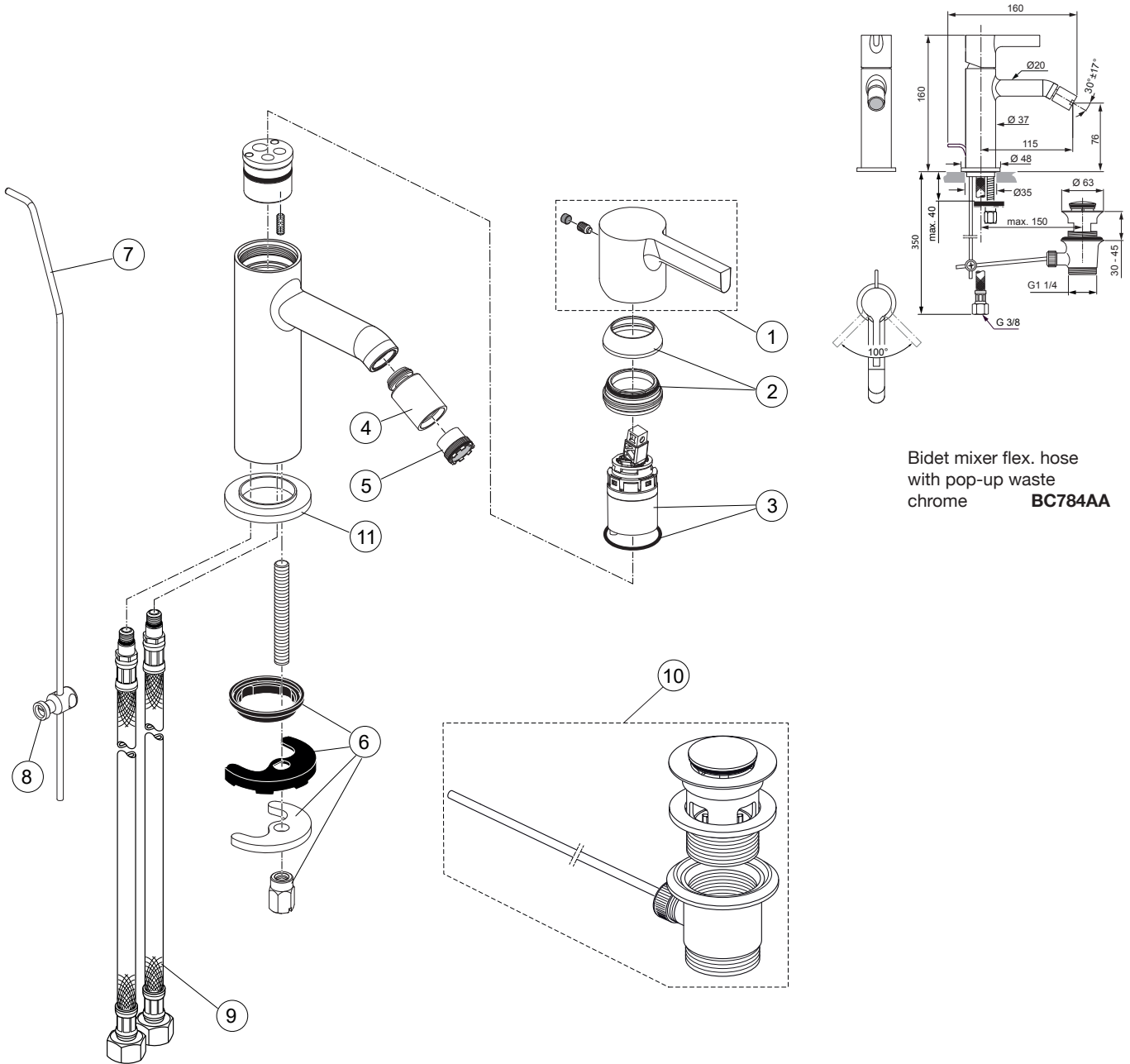


Produced since: Nov. 2019



Replace XX with the appropriate finish code

Chrome = AA Silver Storm = GN Gold = A2 Magnetic Grey = A5

Example spare part order:

A 861 419 AA in Chrome

Pos.	Description	Part-Number	Qty.	Pos.	Description	Part-Number	Qty.
1	Lever cpl.	A 861 419 XX	1 Set				
2	Cover cap with O-ring	A 861 420 XX	1 pcs				
3	Cartridge Ø28 + O - Ring	A 861 397 NU	1 Set				
4	Ball joint M16x1 / M16,5x1	A 861 421 XX	1 pcs				
5	Aerator M16,5x1 - 5ltr/min	A 962 708 NU	1 pcs				
6	Fixation kit	A 960 486 NU*	1 Set				
7	Lift rod cpl. + Pos. 8	B 960 900 XX	1 Set				
8	Bracket	A 961 172 NU	1 pcs				
9	Flex. hose M8x1-G3/8-425	A 962 370 NU	1 pcs				
10	Pop-up waste complete	A 961 230 XX	1 Set				

*Universal set (not all parts needed)