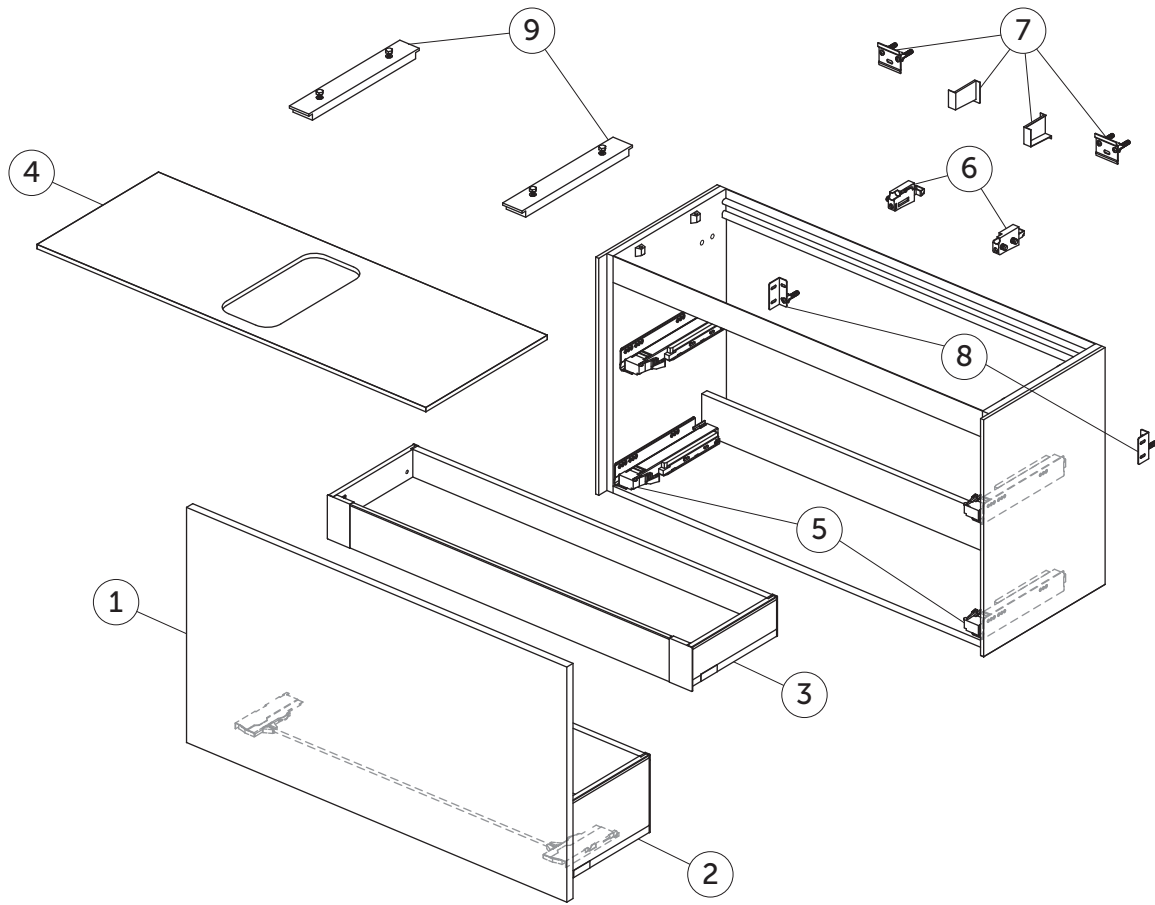


SPARE PARTS

Basin Unit 1000
1 external drawer, 1 internal drawer

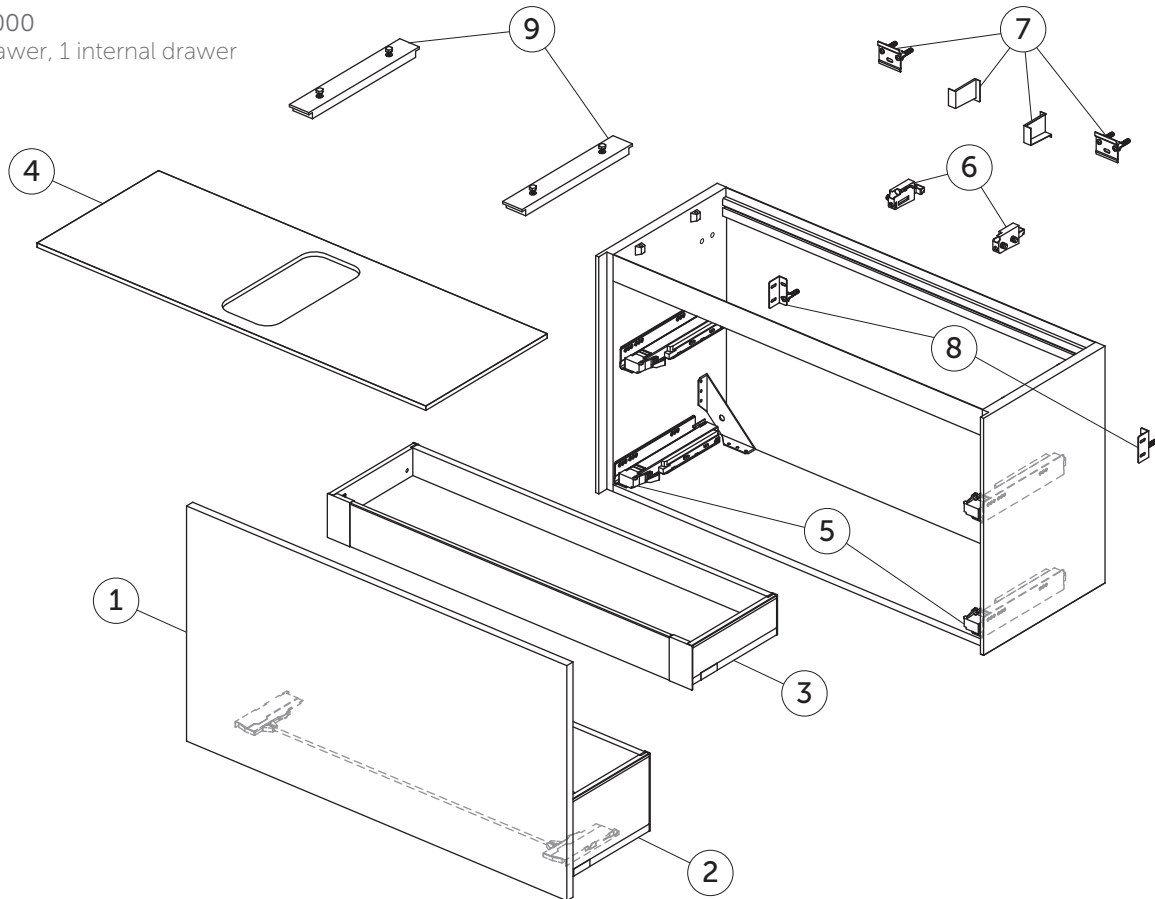


Item	Description	Colour/Finish	Code No.	Quantity
1	Drawer front panel 980 x 536	Y1 - Matt White	TV735Y1	1
		Y2 - Matt Anthracite	TV735Y2	
		Y3 - Matt Sunset	TV735Y3	
		Y4 - Smoked Oak	TV735Y4	
		Y5 - Dark Walnut	TV735Y5	
		Y6 - Light Oak	TV735Y6	
2	Drawer structure box 100 x 37	Y2 - Matt Anthracite	TV736Y2	1
3	Complete internal drawer 100	Y2 - Matt Anthracite	TV737Y2	1
4	Worktop 1002 x 373 center cut	Y1 - Matt White Y2 - Matt Anthracite Y3 - Matt Sunset Y4 - Smoked Oak Y5 - Dark Walnut Y6 - Light Oak	TV738Y1 TV738Y2 TV738Y3 TV738Y4 TV738Y5 TV738Y6	1
	Worktop 1002 x 373 no cut	Y1 - Matt White Y2 - Matt Anthracite Y3 - Matt Sunset Y4 - Smoked Oak Y5 - Dark Walnut Y6 - Light Oak	TV739Y1 TV739Y2 TV739Y3 TV739Y4 TV739Y5 TV739Y6	
5	Runners 270 Push KIT		TV72567	pair
6	Hanging brackets KIT 1		RV08267	pair
7	Wall fixation KIT 1 new		TV72667	14
8	Safety KIT (brackets, screws & plugs)		TV38767	12
9	Worktop adjustable support kit short		TV73467	pair

Manufactured pre June 2021.
Manufacturer traceability code 9999.

SPARE PARTS

Basin Unit 1000
1 external drawer, 1 internal drawer



Item	Description	Colour/Finish	Code No.	Quantity
1	Drawer front panel ns 980 x 536	Y1 - Matt White	TF011Y1	1
		Y2 - Matt Anthracite	TF011Y2	
		Y3 - Matt Sunset	TF011Y3	
		Y4 - Smoked Oak	TF011Y4	
		Y5 - Dark Walnut	TF011Y5	
		Y6 - Light Oak	TF011Y6	
2	Drawer structure box ns 100 x 37	Y2 - Matt Anthracite	TF012Y2	1
3	Complete internal drawer ns 100	Y2 - Matt Anthracite	TF013Y2	1
4	Worktop ns 1002 x 373 center cut	Y1 - Matt White	TF014Y1	1
		Y2 - Matt Anthracite	TF014Y2	
		Y3 - Matt Sunset	TF014Y3	
		Y4 - Smoked Oak	TF014Y4	
		Y5 - Dark Walnut	TF014Y5	
		Y6 - Light Oak	TF014Y6	
	Worktop ns 1002 x 373 no cut	Y1 - Matt White	TF015Y1	1
		Y2 - Matt Anthracite	TF015Y2	
		Y3 - Matt Sunset	TF015Y3	
		Y4 - Smoked Oak	TF015Y4	
		Y5 - Dark Walnut	TF015Y5	
		Y6 - Light Oak	TF015Y6	
5	Runners 270 Push KIT		TV72567	pair
6	Hanging brackets KIT 1		RV08267	pair
7	Wall fixation KIT 1 new		TV72667	14
8	Safety KIT (brackets, screws & plugs)		TV38767	12
9	Worktop adjustable support kit short		TV73467	pair

Manufactured post May 2021.
Manufacturer traceability code 9999.

Ideal Standard International NV
Corporate Village – Gent Building
Da Vincilaan 2
B1935 – Zaventem
Belgium

BE +32 (0)2 325 66 33
BG +359 675 30362
DE +49 (0)228 521 580
EG +202 26969700
FR +33 (0)1 49 38 28 00
GB 01482 496 318
GR +30 210 67 90 810
HR +38591 22 99 304

HU +36 30 6991 594
IT 800 652 290
ME +971 4 804 2400
NL +31 (0)77 355 08 08
PL +48 71 7868 301/302
RO +40 21 3223 201/202
SI 00386 59 919040
TR +90 216 314 87 87

UA +359 675 30 468
AL/XK/BA +359 887 709 696
CZ/SK +420 417 592 179
DK/NO/SE +45 75 84 10 10
ES/PT +34 93 561 80 00
LV/LT/EE +371 673 57 792
RS/MK/ME +381 11 713 80 58
RU/MD +7 495 669 23 11

