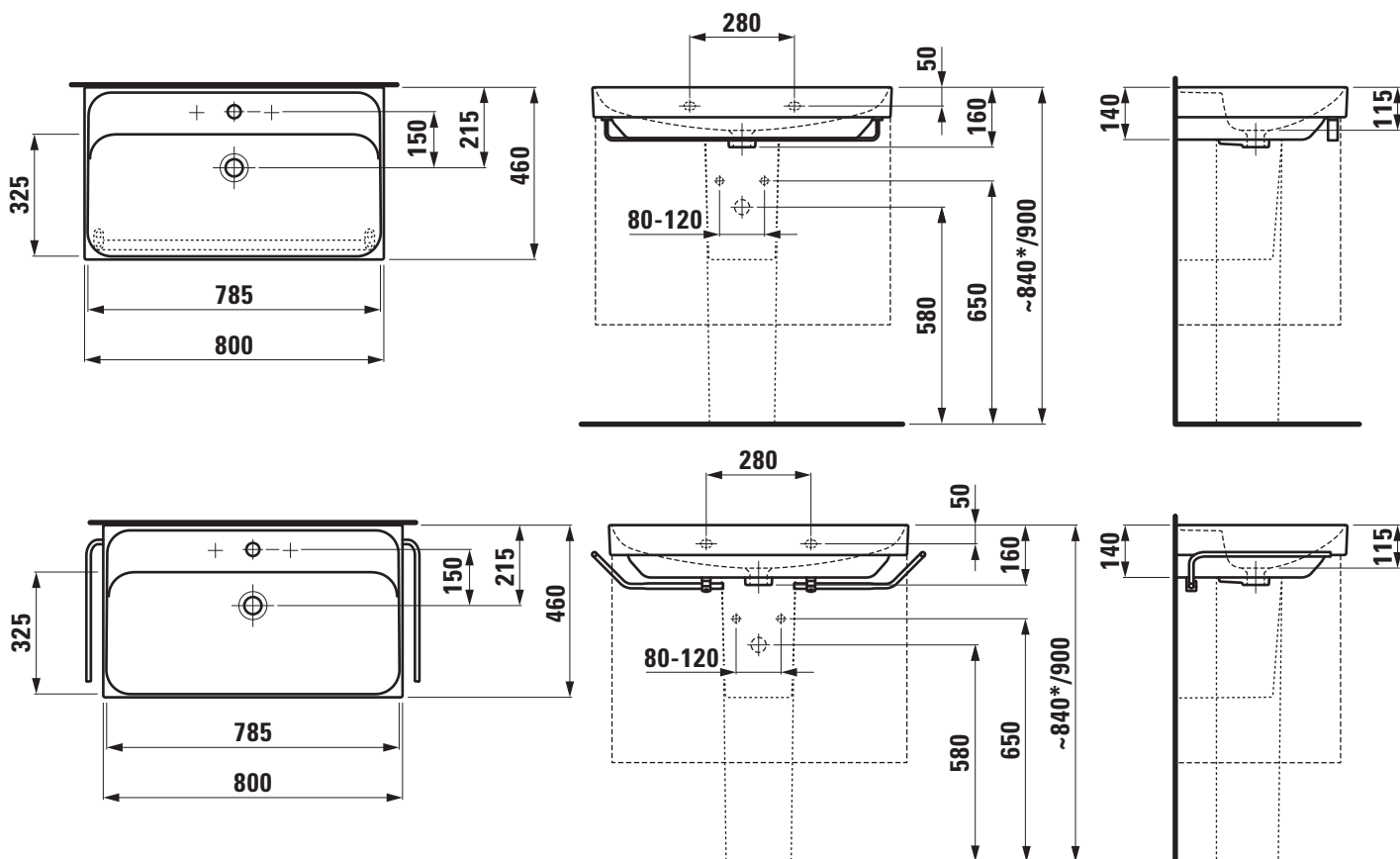




TECHNICAL DATA

Order no.	81011.7	Accessories excl.	Towel rail 750 mm, order no. 38112.6
Certified to	EN 31		Towel holder right, order no. 38212.0
Dimensions	800 x 460 mm		Towel holder left, order no. 38212.1
Inside dimensions of the basin	785 x 325 mm	Mounting acc. excl.	Mounting set M10 x 140 mm, order no. 89988.2
Basin capacity	8.5 litre (up to bottom line of the overflow)	Colours	see colour table
Specification	Charge 104 – 1 centre tap hole	SPECIFICATION TEXT	
Special specification	Charge 108 – 3 tap holes Charge 109 – without tap holes Charge 111 – 1 tap hole, without overflow Charge 112 – without tap hole, without overflow Charge 136 – 3 tap holes, distance 8 inches Charge 158 – 3 tap holes, without overflow	Countertop basin Laufen-MEDA, sanitary ceramic EN 31 dimensions 800 x 460 mm 1 centre tap hole Special feature: overflow channel glazed	
Weight	19,1 kg	Further options / accessories: Surface refinement LCC (only white), without tap holes, 1 tap hole/without overflow, without tap hole/overflow, 3 tap holes with/without overflow, 3 tap holes distance 8 inches, siphon cover, pedestal, bathtubs, furniture Order no. 81011.7	
Accessories excl.	Siphon cover, order no. 81995.1, 81996.3 (3 tap holes not possible) Pedestal, order no. 81995.0, 81996.2		

TECHNICAL DRAWINGS / S 1 : 20



* = Effective height must be fixed according to the height of the pedestal.