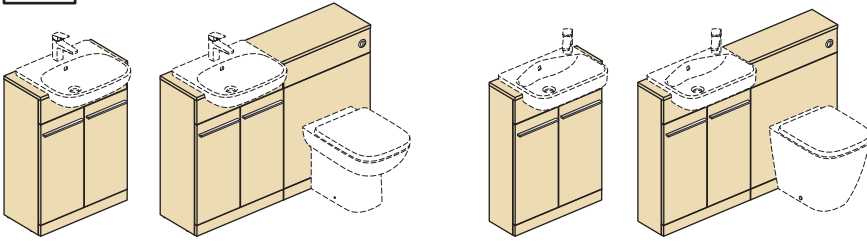


INSTALLATION



I.LIFE



SEMI-COUNTERTOP UNIT

CLEANING INSTRUCTIONS

Furniture surfaces **MUST ONLY** be cleaned using a damp cloth with warm water. Excessive wetting **MUST BE** avoided and any spills should be removed immediately

ENVIRONMENT

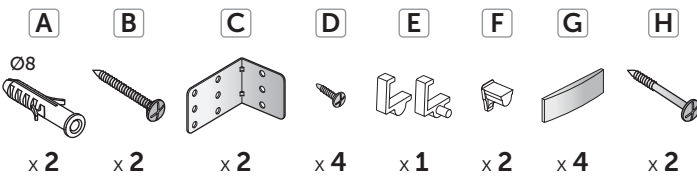
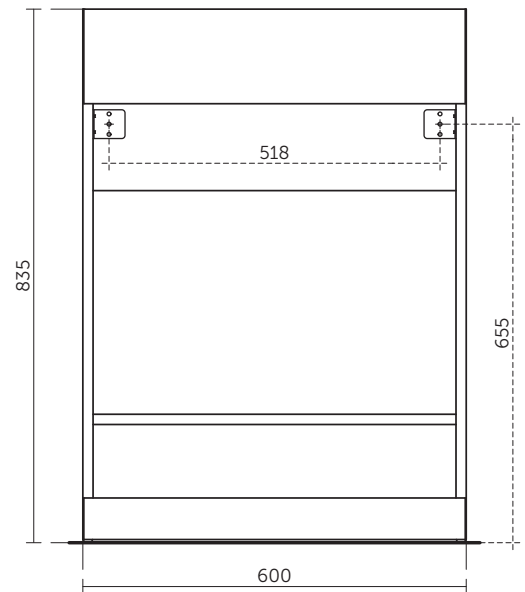
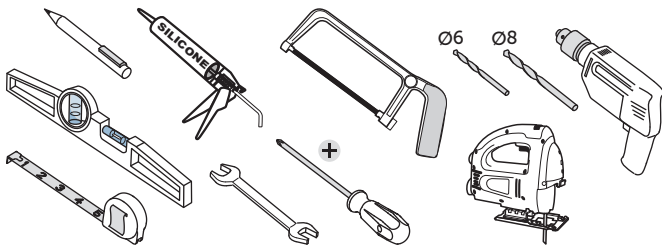
Excessive condensation should be avoided

GUARANTEE

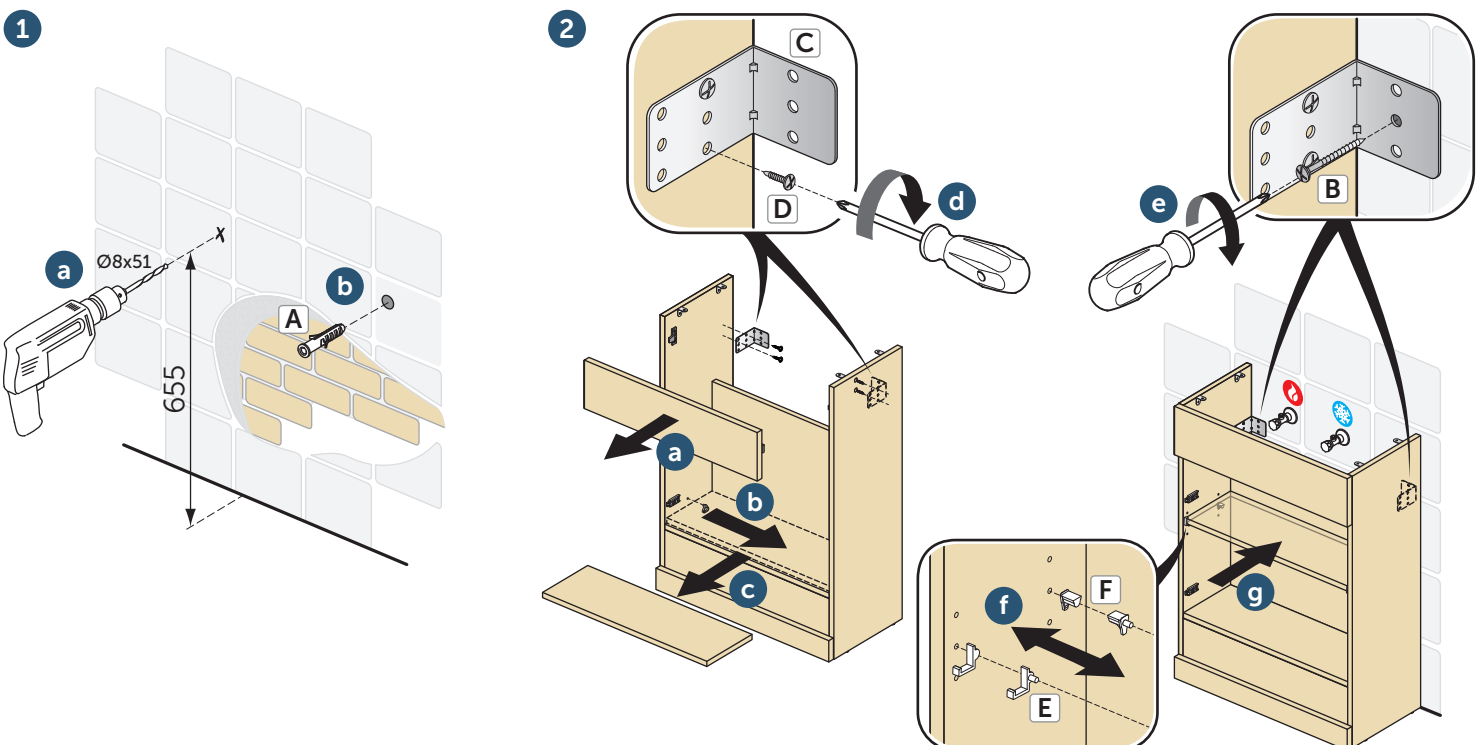
Guarantee is void if the furniture is not installed in an adequately ventilated/heated bathroom

Assembly instructions.

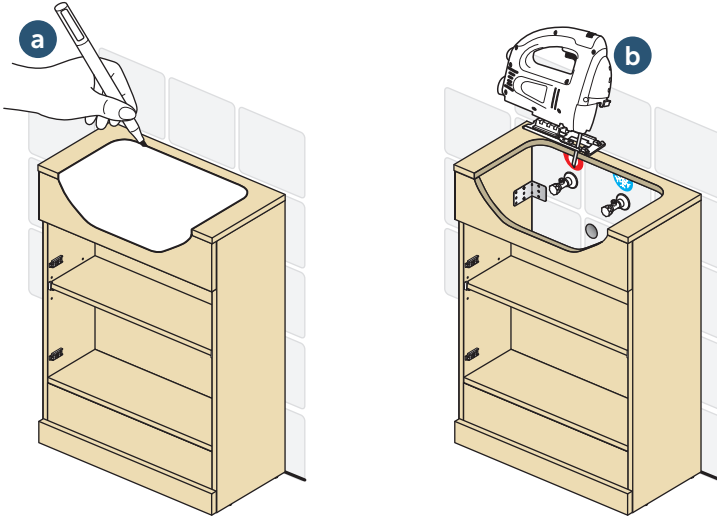
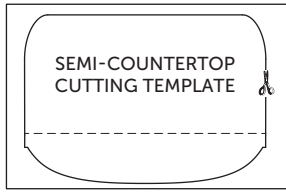
Please read the instructions first. We reserve the right to change product specifications due to possible technical improvements. The manual is supplied with the product; it must be kept for future reference and for the entire life cycle of the product and given to each subsequent owner. Coat all cut areas with moisture resistant sealant to prevent ingress.



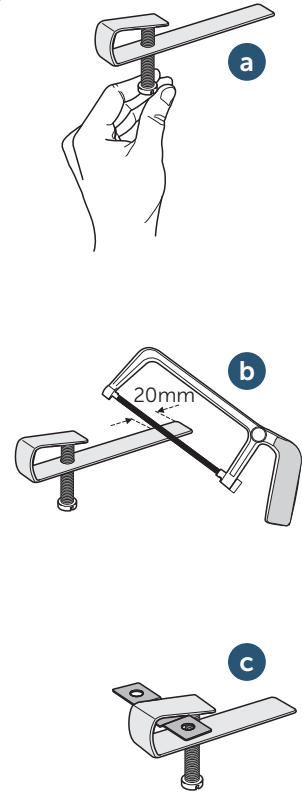
Caution: Always use appropriate fixings to suit your type of wall.



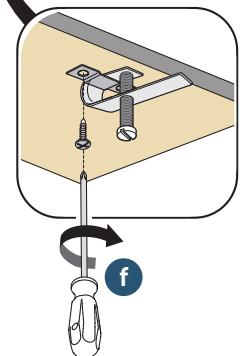
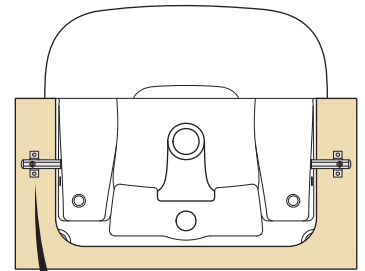
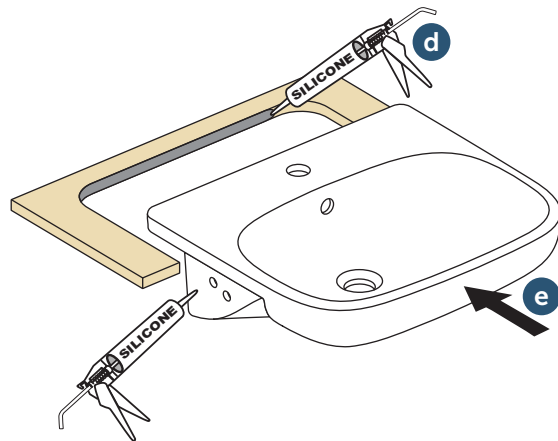
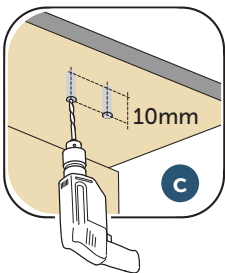
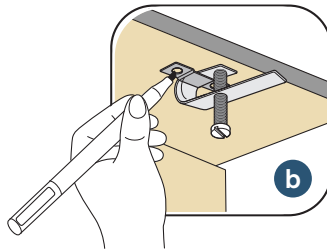
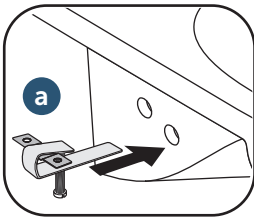
3



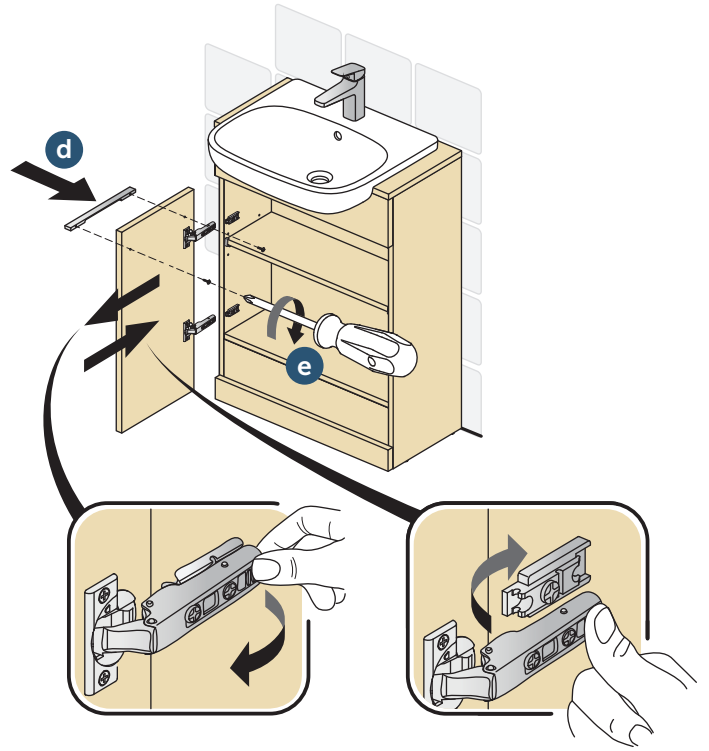
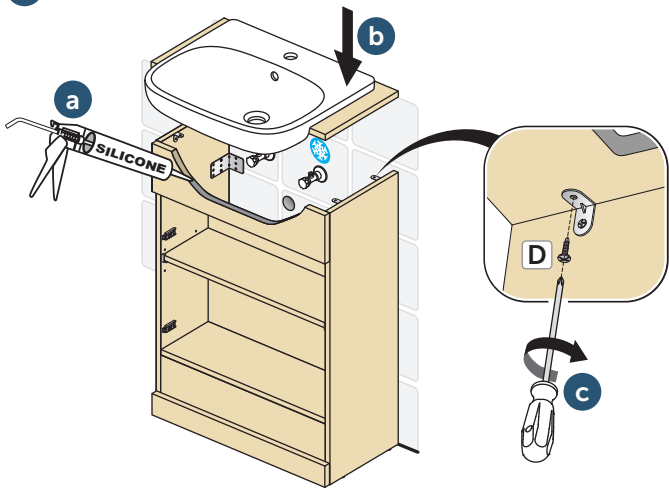
4



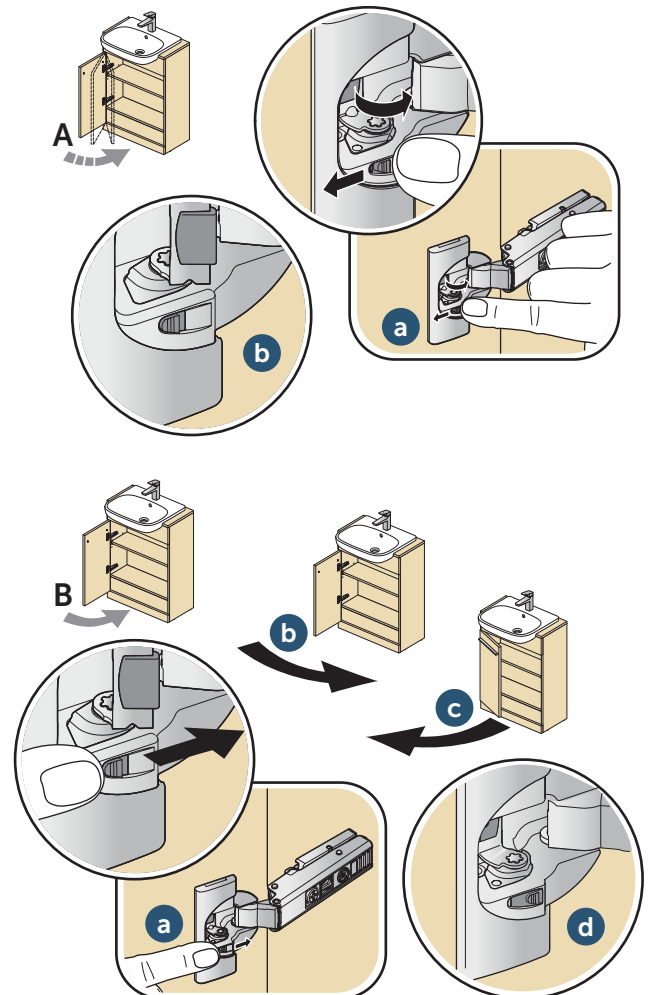
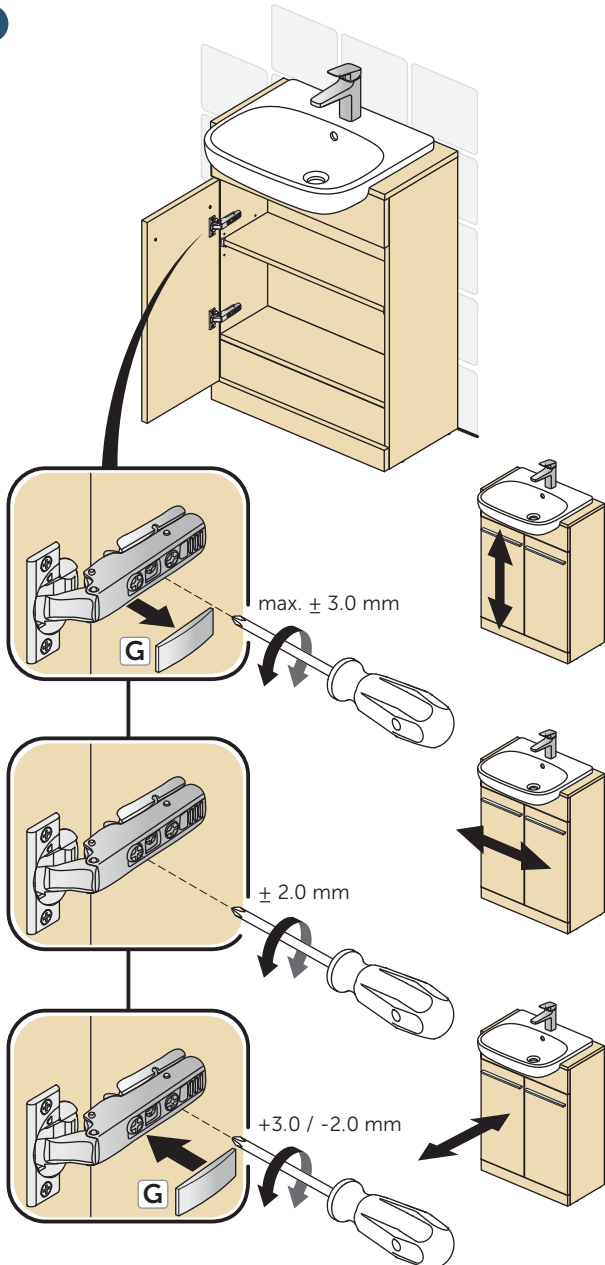
5



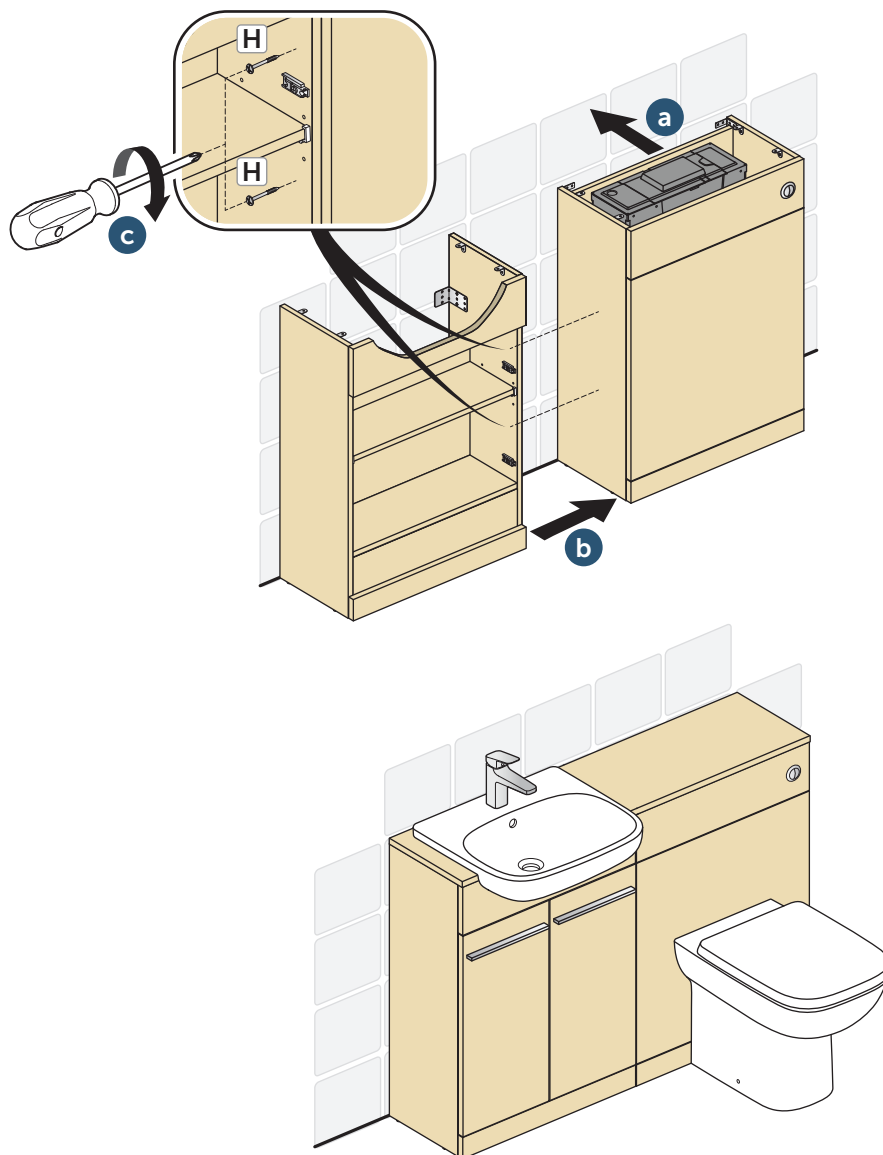
6



7



8



Product information

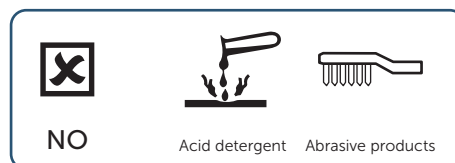
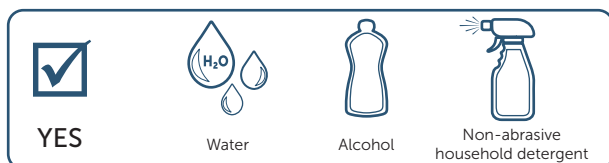
Basin unit, column, drawer panel, worktop: MFC Class E1; Drawer sides, runners, hinges, hangers, fixing plates, collar, fascia: Steel; Shelf: Glass; Handle: Matt black and Brushed chrome Zamak; Finishes: Matt lacquered; Melamine double faced.

Safety

Maximum Shelf Loading: 2 Kg evenly distributed. Do not apply pressure of more than 15 Kg on open drawers. Incorrect installation and/or use of the item for any purpose other than that for which it was intended can be dangerous or cause possible injury to users.

Maintenance and Cleaning

Wipe down with a damp cloth and dry carefully. Do not use any solvents, abrasive substances, or Microfiber cloths for cleaning. Spilt liquids must be wiped up immediately using a cloth; thereafter, dry the surface with a clean dry cloth. When cleaning or using the bathroom, please take care for all furniture having integrated lights or other electric parts, to avoid direct contact with water or moisture. Effective ventilation of the bathroom is essential to maintain the quality and appearance of the product.



Product life-cycle

At the end of its useful life, entrust the unit to the local waste disposal company.

Guarantee:

Product warranty takes effect as of the purchase date of the product, as shown on the invoice or receipt and for the period granted under applicable law. Product warranty granted by law only covers defects (appearance, dimension, operation) existing at the time of delivery resulting from manufacturing errors, as verified and confirmed by the manufacturer's after-sales service technical staff. Normal wear is not included.

National Avenue
Kingston-upon-Hull
HU5 4HS, England
Customer care line:
Tel.: +44 (0)1482 496 318
Fax: +44 (0)1482 499 611