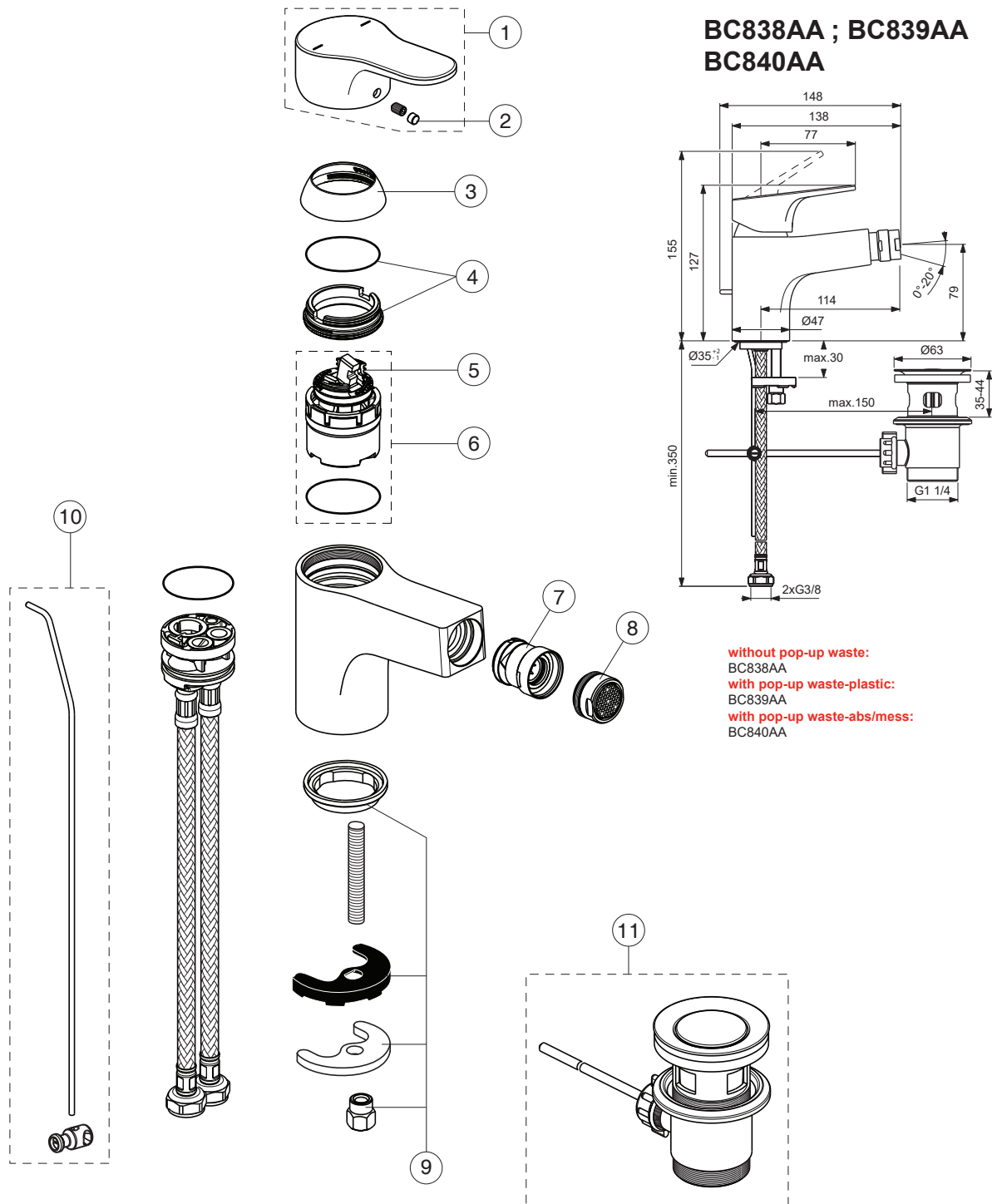




CERABASE

Ideal Standard

Produced from: March 2024



without pop-up waste:
BC838AA
with pop-up waste-plastic:
BC839AA
with pop-up waste-abs/mess:
BC840AA

Pos.	Signify	Spare parts-Nr.	Quantity	Pos.	Signify	Spare parts-Nr.	Quantity
1	Lever	B961852AA	1 Set				
2	Rubber button	A963751NU	1 Pcs.				
3	Cap M38x1.5	B961373AA	1 Pcs.				
4	Screw M38x1.5	B961374NU	1 Set				
5	Hot limit stop	A861181NU	1 Pcs.				
6	Cartridge Ø38mm	B961491NU*	1 Set				
7	Ball joint M24x1	A960063AA	1 Pcs.				
8	Aerator M24x1-3.8 L/min	B960883AA	1 Pcs.				
9	Fixation set	A964520NU	1 Set				
10	Pull-up rod-compl.	B960900AA	1 Set				
11	Pop-up waste-plastic	B964550AA	1 Pcs.				
	Pop-up waste-abs/mess.	B960853AA	1 Pcs.				

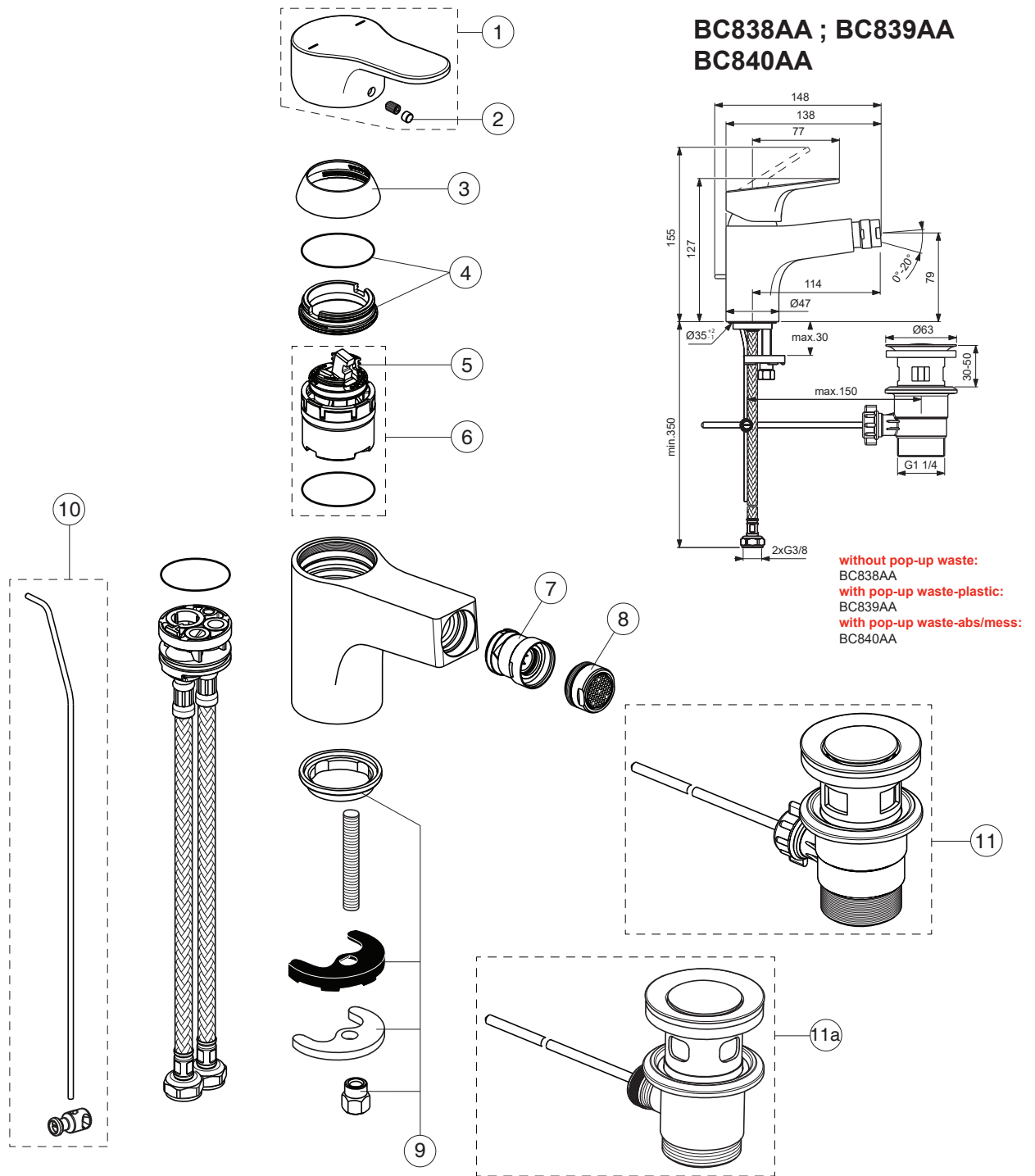
*Universal set (not all parts needed)



CERABASE

Ideal Standard

Produced from: July 2022



Pos.	Signify	Spare parts-Nr.	Quantity	Pos.	Signify	Spare parts-Nr.	Quantity
1	Lever	B961852AA	1 Set				
2	Rubber button	A963751NU	1 Pcs.				
3	Cap M38x1.5	B961373AA	1 Pcs.				
4	Screw M38x1.5	B961374NU	1 Set				
5	Hot limit stop	A861181NU	1 Pcs.				
6	Cartridge Ø38mm	A861156NU*	1 Set				
7	Ball joint M24x1	A960063AA	1 Pcs.				
8	Aerator M24x1-5 l/min	B960754AA	1 Pcs.				
9	Fixation set	A964520NU	1 Set				
10	Pull-up rod-compl.	B960900AA	1 Set				
11	Pop-up waste-plastic	B964550AA	1 Pcs.				
11a	Pop-up drain ass.	A962991AA	1 Pcs.				

*Universal set (not all parts needed)