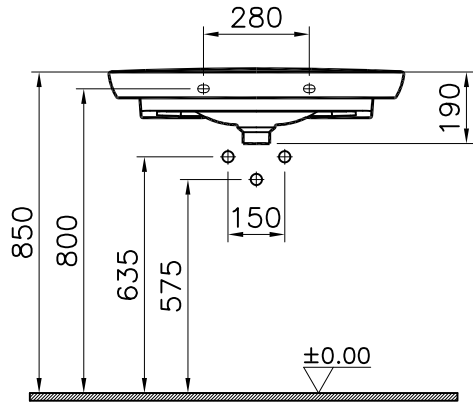
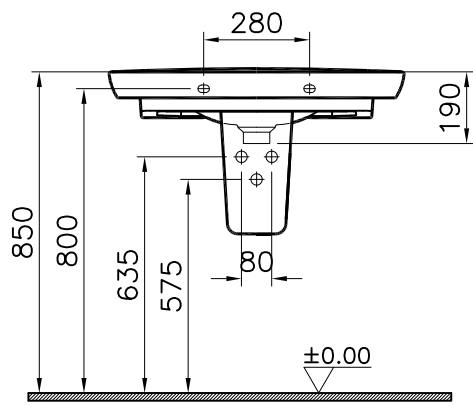
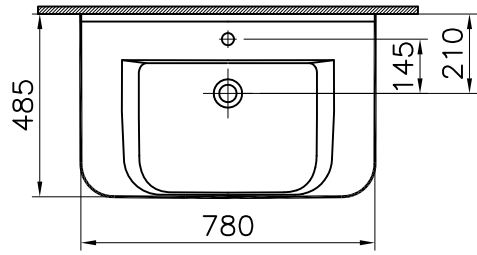


Theoretic Mass(kg)		Revision	
Surface Area(dm ²)			

Thread	Hole	Shaft



2	1	Trap Cover	5281		
1	1	Washbasin	5947	Ceramic	
No	Quantity	Part Name	Drawing No	Material	Material Class
		SENTO	Ceramic	Washbasin	
		Series	Material	Ceramic	Material Class
		<small>This drawing can only be used for the intended purposes. Unauthorized copying is strictly prohibited.</small>			
Drawn By		Controlled By	Approved By	Date	Drawing No
G.GULTER		N.BALTACI	V.SARIGOL	21.10.2016	5947+5281
Rev.		Details	Date	Signature	Scale
					1/20

