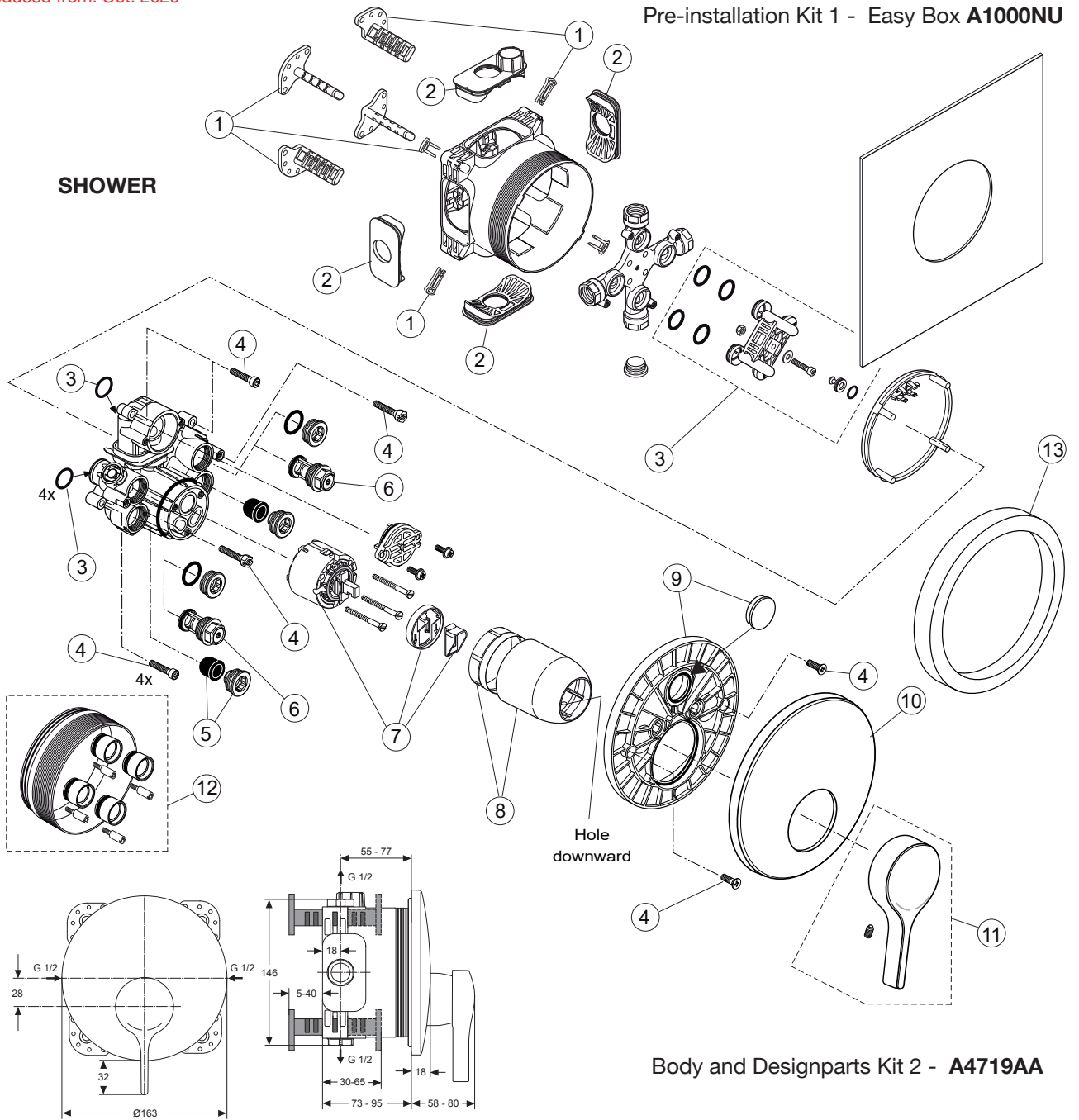


Produced from: Oct. 2020



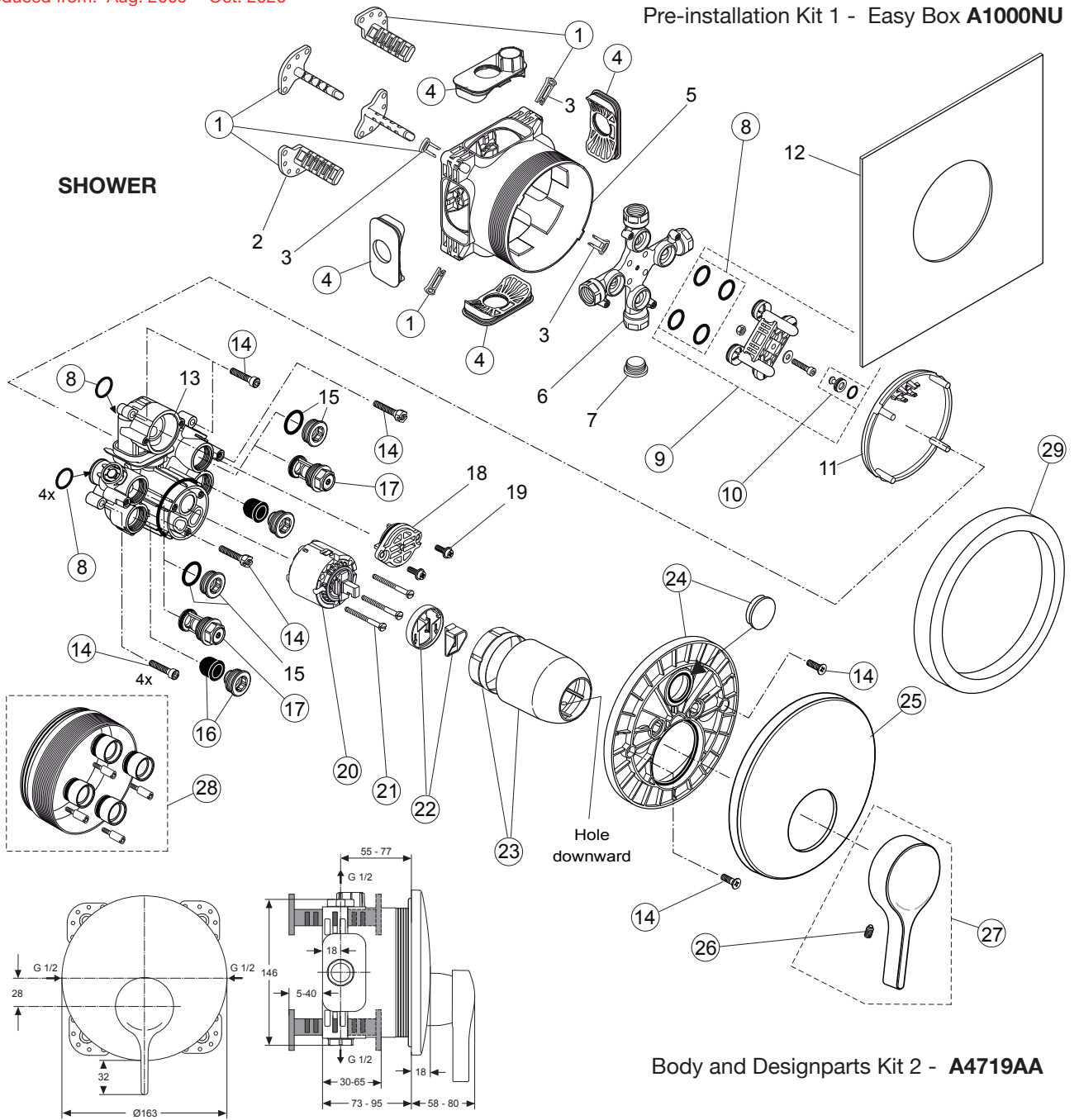
Body and Designparts Kit 2 - **A4719AA**

Replace **XX** with the appropriate finish code  
chrome = AA,

Example spare part order:  
**A 960 893 AA** in chrome

Pos.	Description	Part-Number	Qty.	Pos.	Description	Part-Number	Qty.
1	Install. depth adjust.	<b>A 963 131 NU</b>	1 Set	12	Extension kit 20mm	<b>A 960 704 NU</b>	1 Set
2	Side sealing	<b>A 963 132 NU</b>	1 Set		Extension kit 40mm	<b>A 962 476 NU</b>	1 Set
3	Flushing device cpl.	<b>A 963 146 NU</b>	1 Set	13	Distance frame 20mm	<b>A 960 705 XX</b>	1 pcs
4	Screw set complete	<b>A 960 890 NU</b>	1 Set				
5	Low noise insert	<b>A 960 891 NU</b>	1 pcs				
6	Stop valve	<b>A 960 706 NU</b>	2 pcs				
7	Cartridge with ECO-kit	<b>A 960 500 NU</b>	1 pcs				
8	Cover + clamping + O-ring	<b>A 960 893 XX</b>	1 pcs				
9	Escutcheon holder compl.	<b>A 960 895 NU</b>	1 Set				
10	Escutcheon / Shr curved	<b>A 962 390 XX</b>	1 pcs				
11	Lever compl. with Logo ISI	<b>A 962 065 XX</b>	1 pcs				

Produced from: Aug. 2009 - Oct. 2020



Body and Designparts Kit 2 - A4719AA

Replace XX with the appropriate finish code  
chrome = AA,

Example spare part order:  
A 960 893 AA in chrome

Pos.	Description	Part-Number	Qty.	Pos.	Description	Part-Number	Qty.
1	Installation depth adjustment with clips	A 963 131 NU	1 Set	15	Plug with o-ring	A 960 891 NU	1 pcs
2	Depth adjustment device			16	Low noise insert	A 960 706 NU	2 pcs
3	Adjustment lock ( contained in pos. 1 )			17	Stop valve		
4	Side sealing	A 963 132 NU	1 Set	18	Front cover with o-ring		
5	Built-in box			19	Screw M4x12		
6	Multi-way body			20	Cartridge with pos.22	A 960 500 NU	1 pcs
7	Plug G1/2			21	Cylindrical screw M4x41,7	A 963 335 NU	3 pcs
8	O-ring Ø 17 x 2,5	A 963 143 NU	1 Set	22	ECO-kit	A 860 700 NU	1 Set
9	Flushing device with Screw, washer + sealing set	A 963 146 NU	1 Set	23	Cover + clamping + O-ring	A 960 893 XX	1 pcs
10	Plug with o-ring Ø 12x1,5	A 963 147 NU	1 pcs	24	Escutcheon holder compl.	A 960 895 NU	1 Set
11	Cover for built-in box			25	Escutcheon / Shr curved	A 962 390 XX	1 pcs
12	Sealing fleece			26	Thread pin M5x10 DIN915	A 963 309 NU	1 pcs
13	Body Single lever			27	Lever compl. with Logo ISI	A 962 065 XX	1 pcs
14	Screw set complete	A 960 890 NU	1 Set	28	Extension kit 20mm	A 960 704 NU	1 Set
					Extension kit 40mm	A 962 476 NU	1 Set
				29	Distance frame 20mm	A 960 705 XX	1 pcs