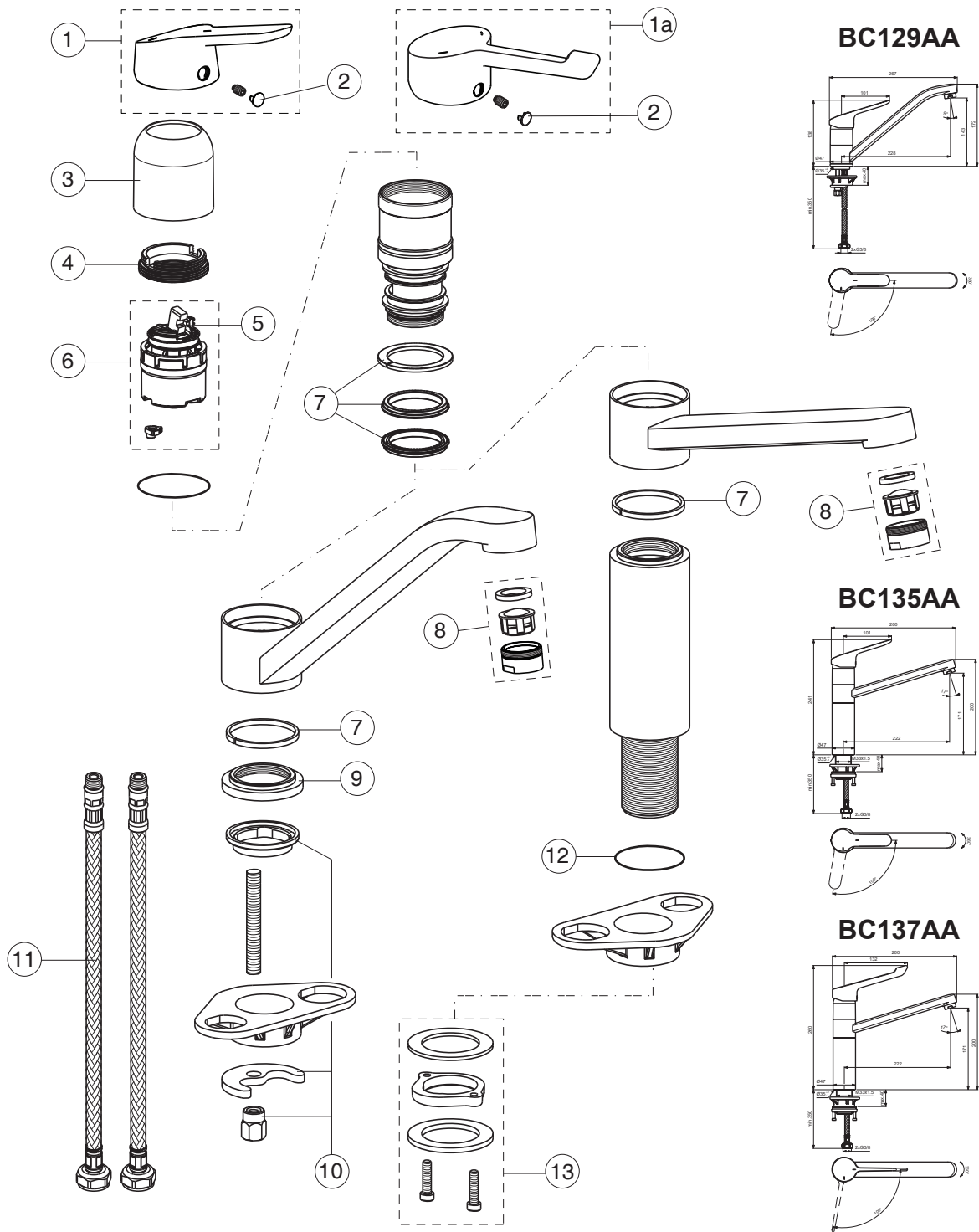




CERAFLEX

Ideal Standard

Produced from: March 2023



Pos.	Signify	Spare parts-Nr.	Quantity	Pos.	Signify	Spare parts-Nr.	Quantity
1	Lever, w/logo-set	B961461AA	1 Set	13	Connecting group	B960255NU	1 Set
1a	Lever medical, w/logo-set	B961462AA	1 Set				
2	Cap decorative	B960473AA	1 Pcs.				
3	Rosette	B961431AA	1 Pcs.				
4	Screw M41x1.5/M38x1.5	B961374NU	1 Pcs.				
5	Hot limit stop	A861181NU	1 Pcs.				
6	Cartridge Ø38mm	A861156NU*	1 Set				
7	Sealing set	B960784NU	1 Set				
8	Neop. casc. M24x1-A	A960321AA	1 Pcs.				
9	Rosette decorative	B961430AA	1 Pcs.				
10	Connecting set	A964520NU	1 Set				
11	Fl.pexhose G3/8-L445mm	B960535NU	1 Pcs. (for BC129AA)				
	Fl.hose G3/8-L550mm	B961614NU	1 Pcs.				
12	O-Ring Ø37.77x2.62	A962574NU	1 Pcs.				

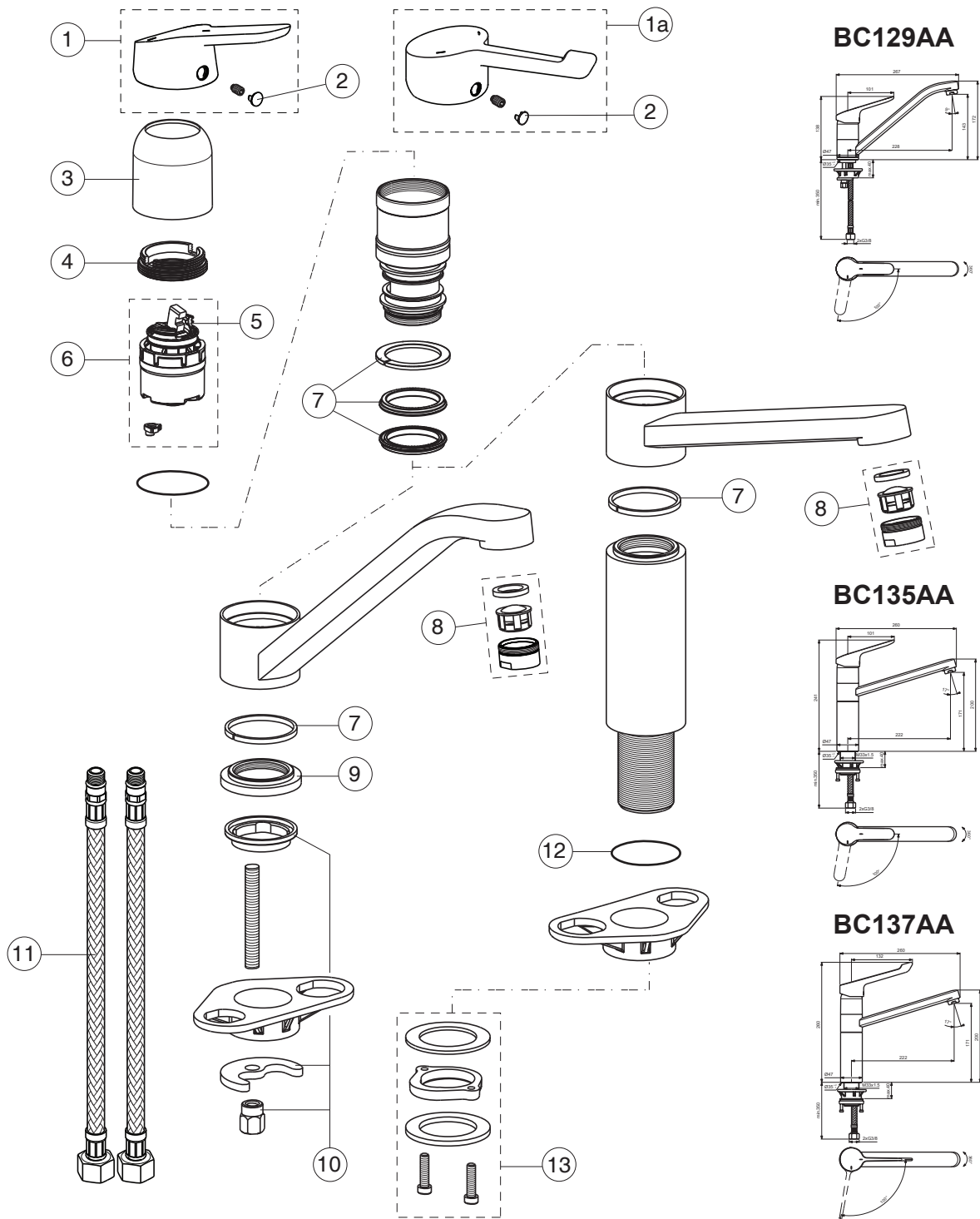
*Universal set (not all parts needed)



Ideal Standard

Produced from: Oct.2021

CERAFLEX



Pos.	Signify	Spare parts-Nr.	Quantity	Pos.	Signify	Spare parts-Nr.	Quantity
1	Lever, w/logo-set	B961461AA	1 Set	13	Connecting group	B960255NU	1 Set
1a	Lever medical, w/logo-set	B961462AA	1 Set				
2	Cap decorative	B960473AA	1 Pcs.				
3	Rosette	B961431AA	1 Pcs.				
4	Screw M41x1.5/M38x1.5	B961374NU	1 Pcs.				
5	Hot limit stop	A861181NU	1 Pcs.				
6	Cartridge Ø38mm	A861156NU*	1 Set				
7	Sealing set	B960784NU	1 Set				
8	Neop. casc. M24x1-A	A960321AA	1 Pcs.				
9	Rosette decorative	B961430AA	1 Pcs.				
10	Connecting set	A964520NU	1 Set				
11	Fl.hose G3/8-L445mm	A963600NU	1 Pcs. (for BC129AA)				
	Fl.hose G3/8-L550mm	B961614NU	1 Pcs.				
12	O-Ring Ø37.77x2.62	A962574NU	1 Pcs.				

*Universal set (not all parts needed)