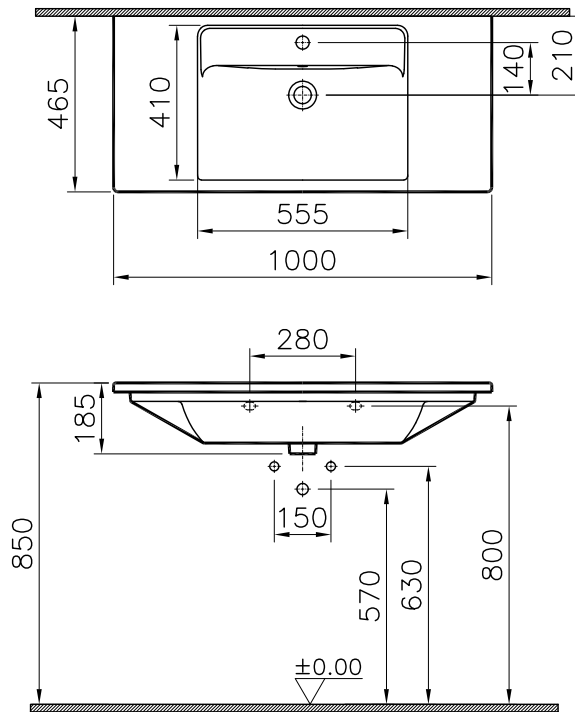


| | | | |
|--------------------------------|--|-----------|--|
| Theoretic Mass(kg) | | Revision | |
| Surface Area(dm ²) | | A4 | |

| | | |
|--------|------|-------|
| Thread | Hole | Shaft |
| | | |



| | | | | | |
|----------|---------------|-------------|------------|------------|----------------|
| 1 | 1 | Washbasin | 7057-0001 | Ceramic | |
| item | Quantity | Part Name | Drawing No | Material | Material Class |
| | | Series | Material | Ceramic | Material Class |
| | | S80 | Washbasin | | |
| Drawn By | Controlled By | Approved By | Date | Drawing No | Scale |
| G.GULTER | N.BALTACI | V.SARIGOL | 11.09.2017 | 7057 | 1/20 |

This drawing can only be used for the intended purposes. Unauthorized copying is strictly prohibited.

| | | | |
|-----|-------------|------|------|
| R.S | Description | Date | NAME |
| | | | |
| | | | |
| | | | |

VitrA® ART^{EM}A