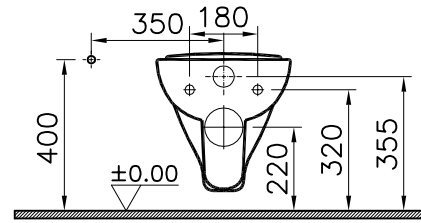
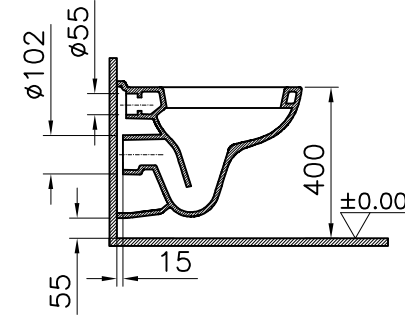
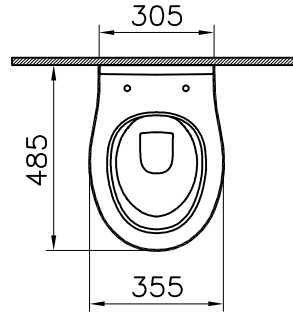
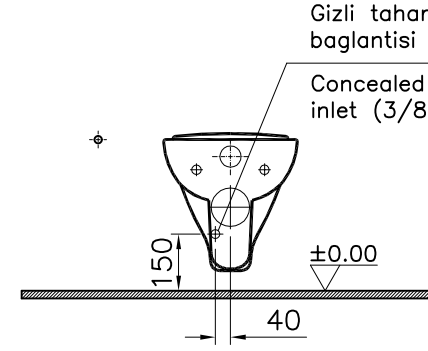


Theoretic Mass(kg)		Revision
Surface Area(dm ²)		A4

Thread	Hole	Shaft



Standart baglanti
Standard connection
Standard Verbindung



Gizli baglanti
Concealed connection
versteckte Verbindung

1	1	BoxRim WC pan	7649-0850	Ceramic	
item	Quantity	Part Name	Drawing No	Material	Material Class
		Series	Material	Ceramic	Material Class
		S20	BoxRim WC pan		
Drawn By	Controlled By	Approved By	Date	Drawing No	Scale
T.TAYAR	N.BALTACI	S.VEAT SARIGOL	03.09.2018	7649	1/20

R.S	Description	Date	NAME

This drawing can only be used for the intended purposes. Unauthorized copying is strictly prohibited.

