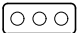
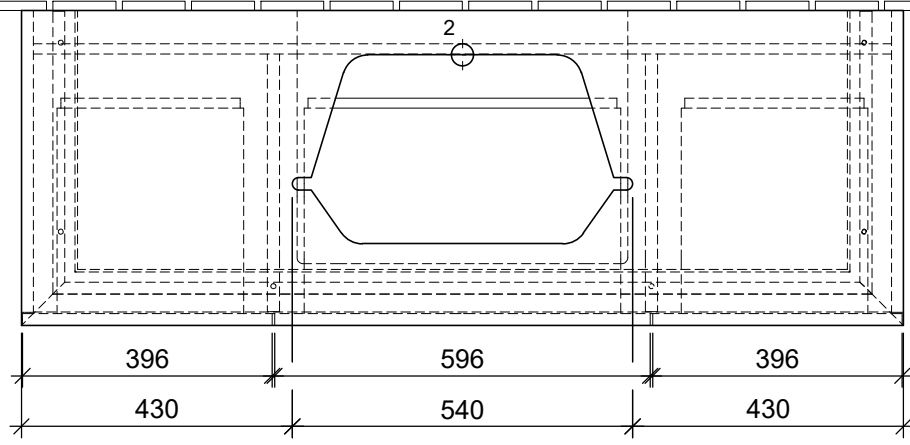



N  $\frac{1}{L}$   
 220 - 240V



	1 $\phi$	2 $\phi$
4142 6G / 6L / 6C		X
4A07 60 / 61		X

<b>Legato</b> B75900XX / B759L0XX		 <b>Villeroy &amp; Boch</b> 1748
V01 / 20.09.2019	1:12	