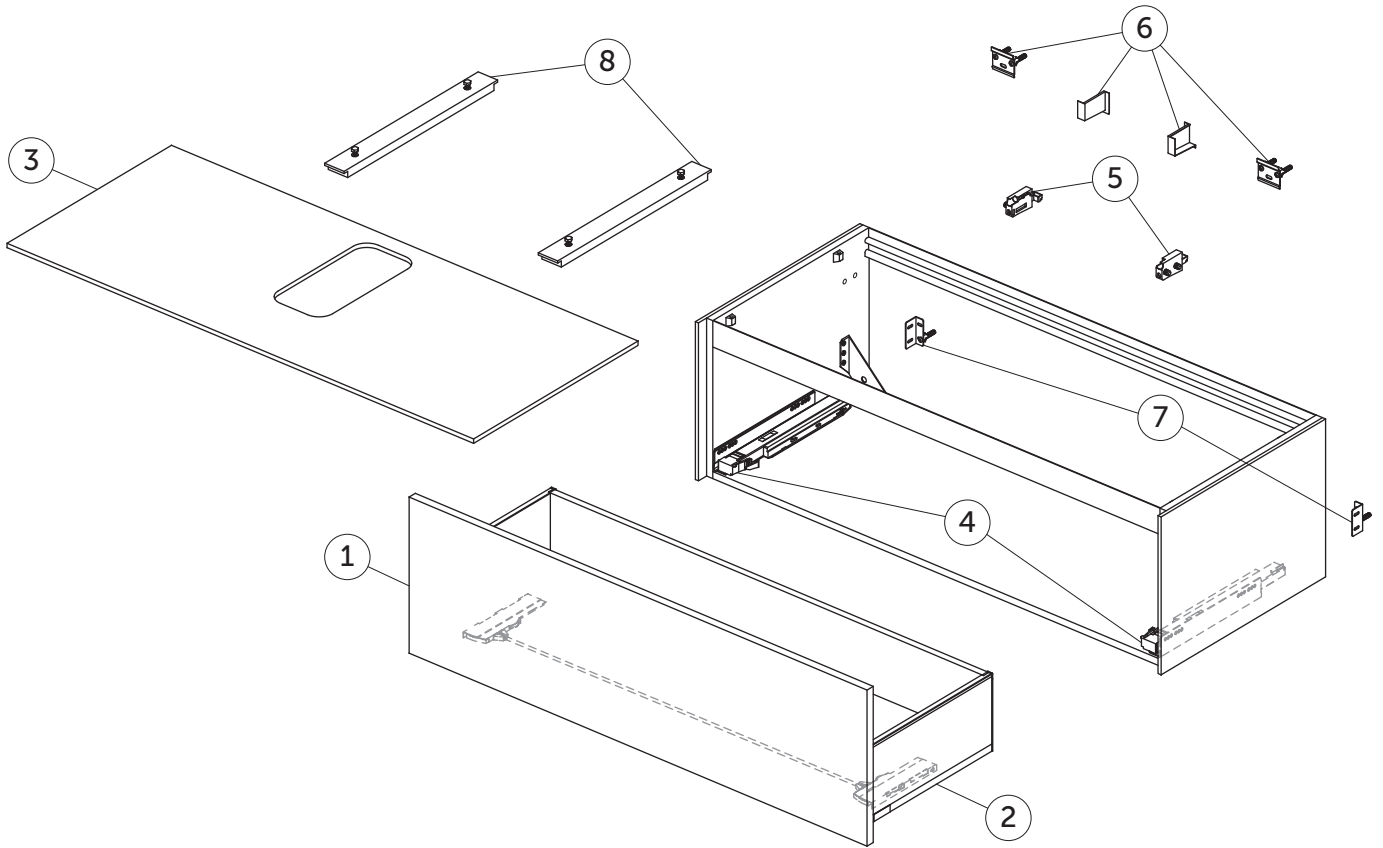


SPARE PARTS

Basin Unit 1200
1 drawer

Page 1 of 2

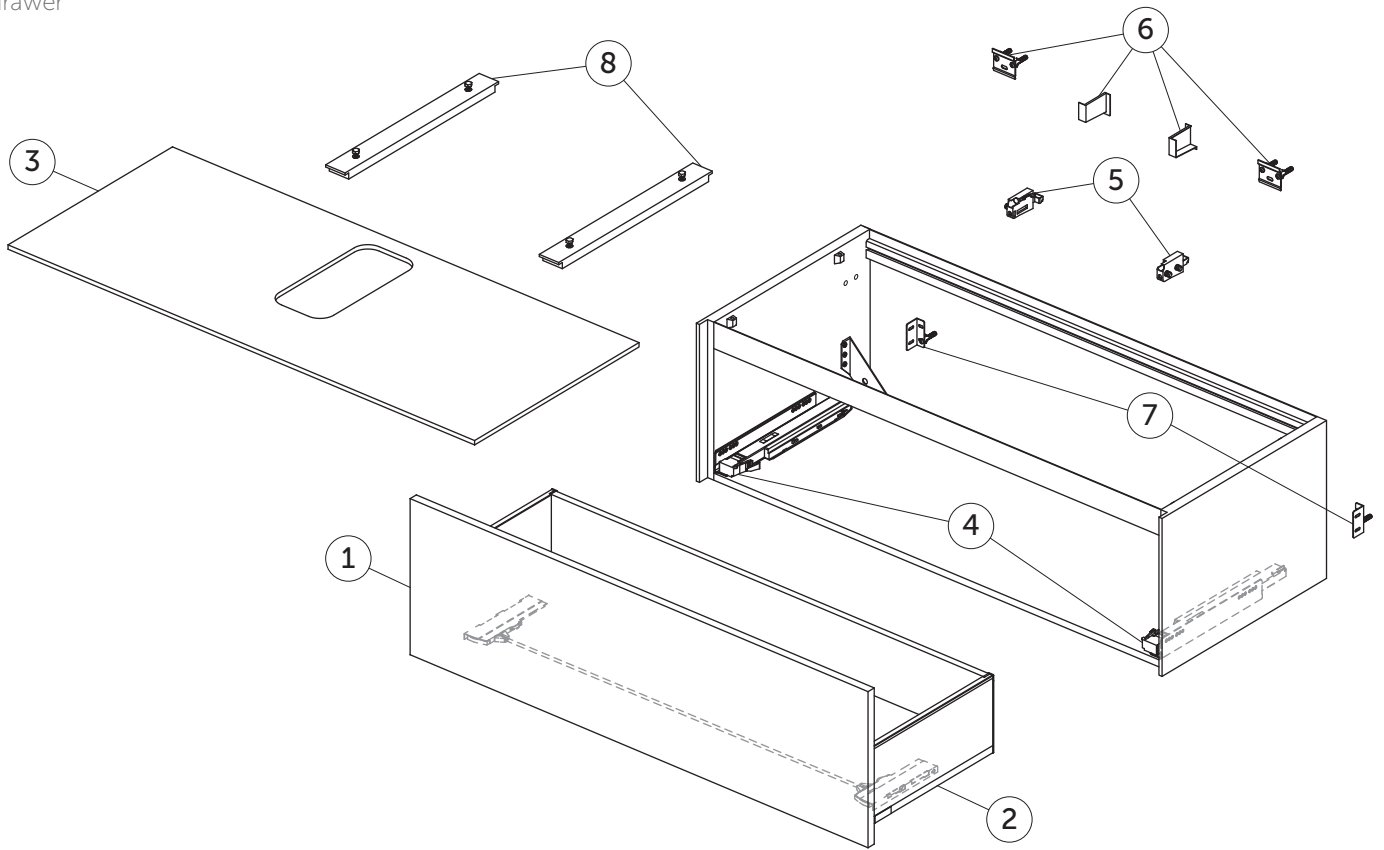


Item	Description	Colour/Finish	Code No.	Quantity
1	Drawer front panel 1180 x 356	Y1 - Matt White Y2 - Matt Anthracite Y3 - Matt Sunset Y4 - Smoked Oak Y5 - Dark Walnut Y6 - Light Oak	TV782Y1 TV782Y2 TV782Y3 TV782Y4 TV782Y5 TV782Y6	1
2	Drawer structure box 120 x 50.5	Y2 - Matt Anthracite	TV783Y2	1
3	Worktop 1202 x 505 center cut	Y1 - Matt White Y2 - Matt Anthracite Y3 - Matt Sunset Y4 - Smoked Oak Y5 - Dark Walnut Y6 - Light Oak	TV784Y1 TV784Y2 TV784Y3 TV784Y4 TV784Y5 TV784Y6	1
	Worktop 1202 x 505 no cut	Y1 - Matt White Y2 - Matt Anthracite Y3 - Matt Sunset Y4 - Smoked Oak Y5 - Dark Walnut Y6 - Light Oak	TV785Y1 TV785Y2 TV785Y3 TV785Y4 TV785Y5 TV785Y6	1
4	Runners 400 Push KIT		TV76967	pair
5	Hanging brackets KIT 1		RV08267	pair
6	Wall fixation KIT 1 new		TV72667	14
7	Safety KIT (brackets, screws & plugs)		TV38767	12
8	Worktop adjustable support KIT		UV24067	pair

Manufactured pre June 2021.
Manufacturer traceability code 9999.

SPARE PARTS

Basin Unit 1200
1 drawer



Item	Description	Colour/Finish	Code No.	Quantity	
1	Drawer front panel ns 1180 x 356	Y1 - Matt White	TF064Y1	1	
		Y2 - Matt Anthracite	TF064Y2		
		Y3 - Matt Sunset	TF064Y3		
		Y4 - Smoked Oak	TF064Y4		
		Y5 - Dark Walnut	TF064Y5		
		Y6 - Light Oak	TF064Y6		
2	Drawer structure box ns 120 x 50.5	Y2 - Matt Anthracite	TF065Y2	1	
3	Worktop ns 1202 x 505 center cut	Y1 - Matt White	TF066Y1	1	
		Y2 - Matt Anthracite	TF066Y2		
3	Worktop ns 1202 x 505 no cut	Y3 - Matt Sunset	TF066Y3	1	
		Y4 - Smoked Oak	TF066Y4		
		Y5 - Dark Walnut	TF066Y5		
		Y6 - Light Oak	TF066Y6		
		Y1 - Matt White	TF067Y1		1
		Y2 - Matt Anthracite	TF067Y2		
Y3 - Matt Sunset	TF067Y3				
Y4 - Smoked Oak	TF067Y4				
Y5 - Dark Walnut	TF067Y5				
Y6 - Light Oak	TF067Y6				
4	Runners 400 Push KIT		TV76967	pair	
5	Hanging brackets KIT 1		RV08267	pair	
6	Wall fixation KIT 1 new		TV72667	14	
7	Safety KIT (brackets, screws & plugs)		TV38767	12	
8	Worktop adjustable support KIT		UV24067	pair	

Manufactured post May 2021.
Manufacturer traceability code 9999.

Ideal Standard International NV
Corporate Village – Gent Building
Da Vincilaan 2
B1935 – Zaventem
Belgium

BE +32 (0)2 325 66 33
BG +359 675 30362
DE +49 (0)228 521 580
EG +202 26969700
FR +33 (0)1 49 38 28 00
GB 01482 496 318
GR +30 210 67 90 810
HR +38591 22 99 304

HU +36 30 6991 594
IT 800 652 290
ME +971 4 804 2400
NL +31 (0)77 355 08 08
PL +48 71 7868 301/302
RO +40 21 3223 201/202
SI 00386 59 919040
TR +90 216 314 87 87

UA +359 675 30 468
AL/XK/BA +359 887 709 696
CZ/SK +420 417 592 179
DK/NO/SE +45 75 84 10 10
ES/PT +34 93 561 80 00
LV/LT/EE +371 673 57 792
RS/MK/ME +381 11 713 80 58
RU/MD +7 495 669 23 11

