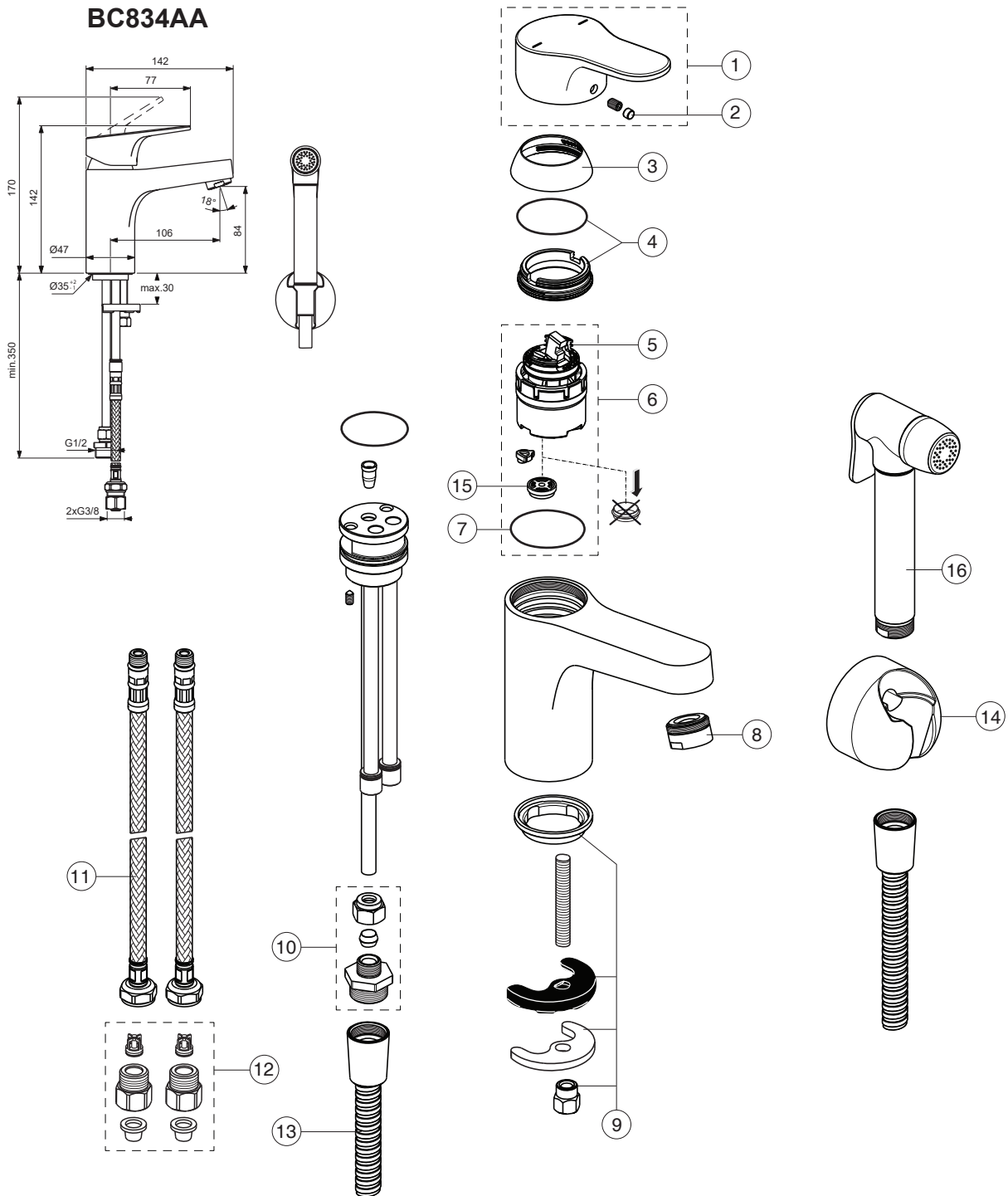




# CERABASE

Ideal Standard

Produced from: March 2024



Pos.	Signify	Spare parts-Nr.	Quantity	Pos.	Signify	Spare parts-Nr.	Quantity
1	Lever	B961852AA	1 Set	15	Flow limiter 5 l/min	B961434NU	1 Pcs.
2	Rubber button	A963751NU	1 Pcs.	16	Hygienic hand-spray	B961788AA	1 Pcs.
3	Rosette M38x1.5	B961373AA	1 Pcs.				
4	Screw M41x1.5/M38x1.5	B961374NU	1 Set				
5	Hot limit stop	A861181NU	1 Pcs.				
6	Cartridge Ø38mm	B961491NU*	1 Set				
7	O-Ring Ø38x2.5	E960059NU*	1 Set				
8	Aerator M24x1-3.8 L/min	B960883AA	1 Pcs.				
9	Connecting set	A964520NU	1 Set				
10	Connecting group	F960469AA	1 Set				
11	Fl.pexhose G3/8-L445mm	B960535NU	1 Pcs.				
12	Non-return valve-compl.	B960844NU	1 Set				
13	Shower hose L1350mm	A1516AA	1 Pcs.				
14	Wall bracket fixed	B9467AA	1 Pcs.				

\*Universal set (not all parts needed)

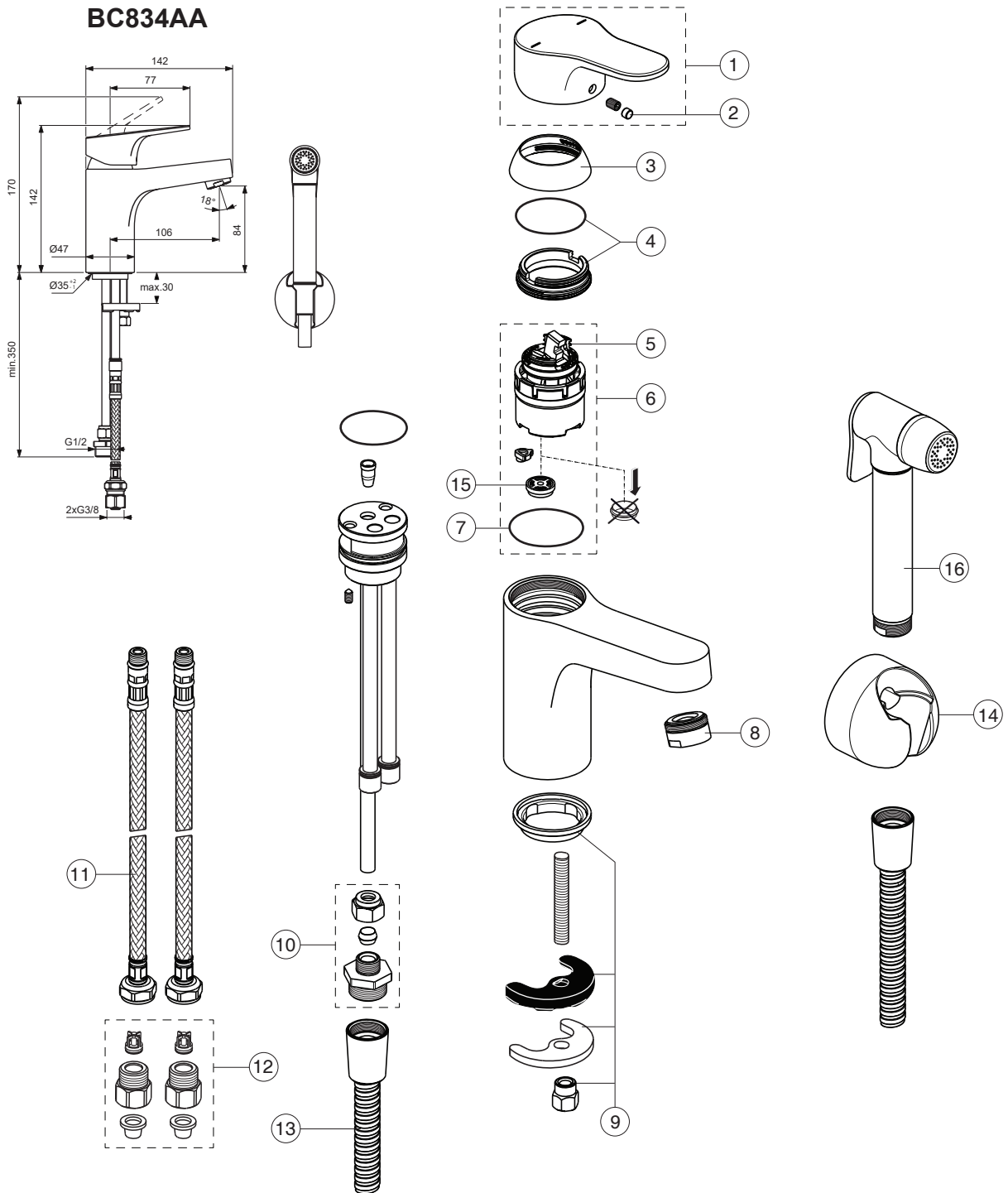
03.2024



# CERABASE

Ideal Standard

Produced from: May 2023



Pos.	Signify	Spare parts-Nr.	Quantity	Pos.	Signify	Spare parts-Nr.	Quantity
1	Lever	B961852AA	1 Set	15	Flow limiter 5 l/min	B961434NU	1 Pcs.
2	Rubber button	A963751NU	1 Pcs.	16	Hygienic hand-spray	B961788AA	1 Pcs.
3	Rosette M38x1.5	B961373AA	1 Pcs.				
4	Screw M41x1.5/M38x1.5	B961374NU	1 Set				
5	Hot limit stop	A861181NU	1 Pcs.				
6	Cartridge Ø38mm	A861156NU*	1 Pcs.				
7	O-Ring Ø38x2.5	E960059NU*	1 Set				
8	Aerator M24x1-5 l/min	B960754AA	1 Pcs.				
9	Connecting set	A964520NU	1 Set				
10	Connecting group	F960469AA	1 Set				
11	Fl.pexhose G3/8-L445mm	B960535NU	1 Pcs.				
12	Non-return valve-compl.	B960844NU	1 Set				
13	Shower hose L1350mm	A1516AA	1 Pcs.				
14	Wall bracket fixed	B9467AA	1 Pcs.				

\*Universal set (not all parts needed)

05.2023