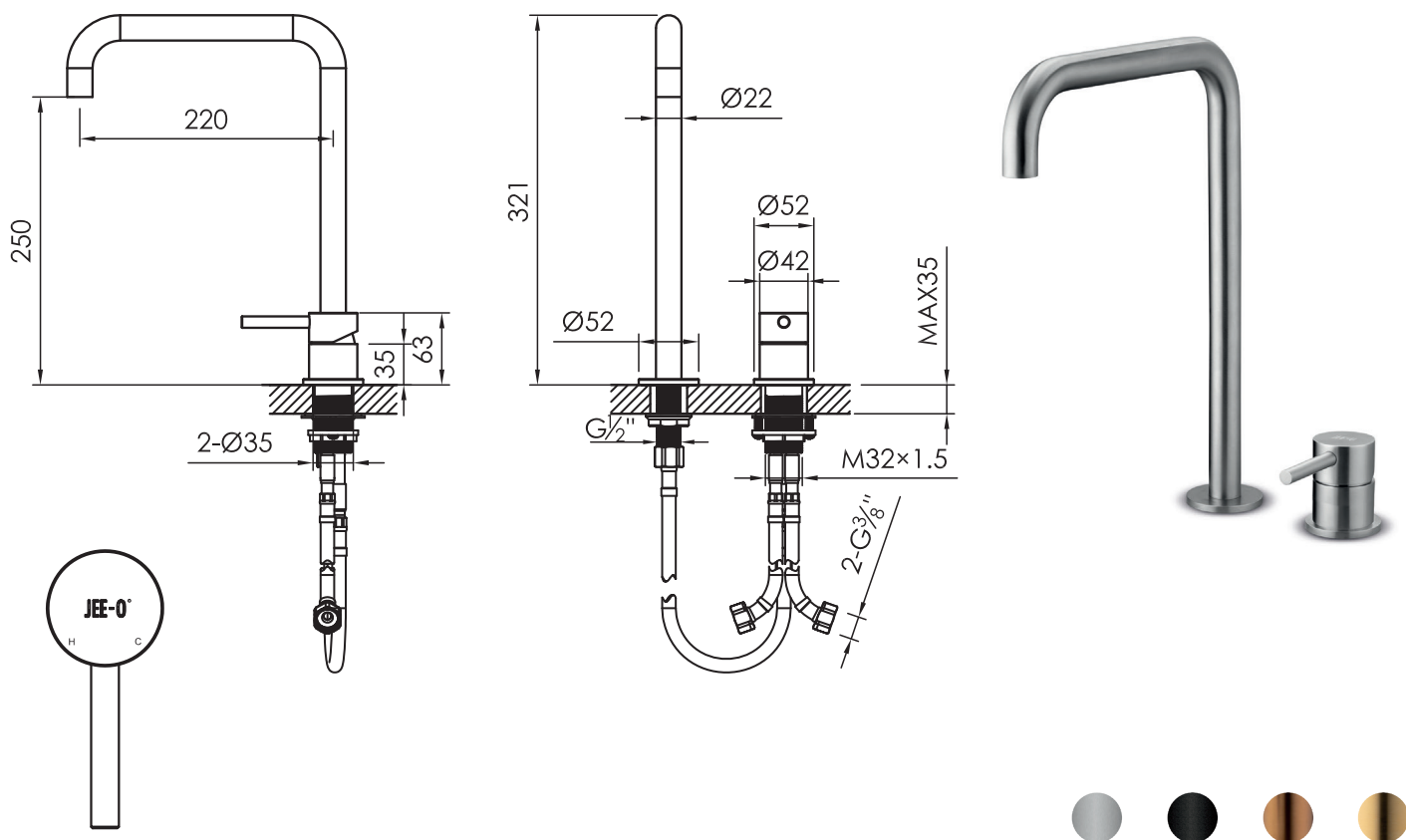




JEE-O slimline 2 hole mixer set high



Article code:

800-1770

● Brushed

800-1773

● Structured black

800-1774

● PVD coated bronze

800-1775

● PVD coated matt gold

Material:

Stainless Steel r304

Cleaning instructions:

download JEE-O shower and taps manual on our website: www.jee-o.com

Cartridge:

Kerox ceramic mixing mechanism (35mm), item code 005-0101

Flow at water of 38°C / 100,4°F:

10l / 2.7gal p/m at 3bar pressure

Connection:

Flex hoses:

2 x G 1/2" (Ø15mm / 0.6")

2 x 3/8" x 400 x m10

1 x 1/2" x 400 x m10

British Standard Pipe (BSP)

Thread:

Dimension package:

L 47 x W 30 x H 8 cm

Total weight:

1.6 kg

Package weight:

0.404 kg

7 year warranty - The general conditions can be found on our website: www.jee-o.com/downloads

HS code:

84818011