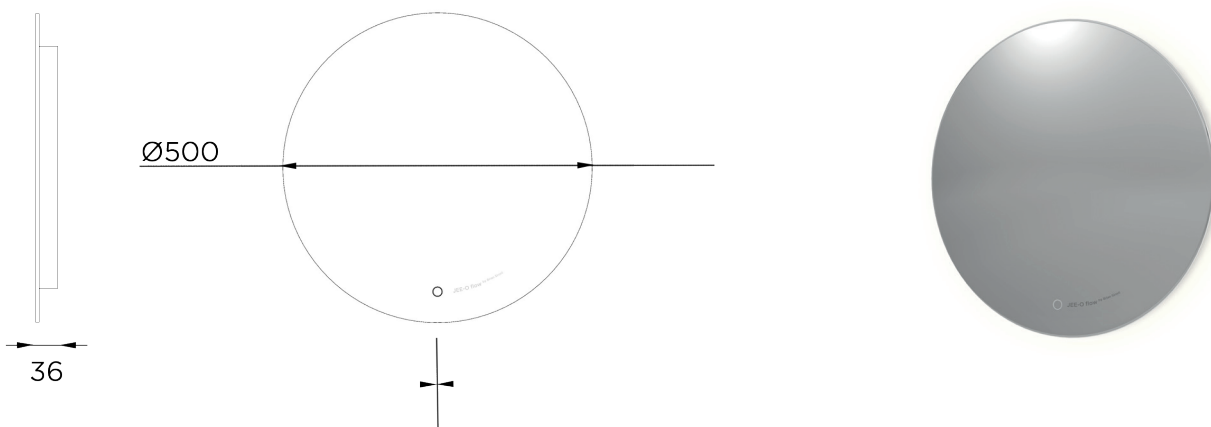




# JEE-O flow mirror 50



Article code:	501-0117	Dimension package:	L 94 x W 80 x H 8 cm
Material:	European mirror glass (6mm) and aluminum frame	Total weight:	6 kg
Cleaning instructions:	download JEE-O shower and taps manual on our website: <a href="http://www.jee-o.com">www.jee-o.com</a>	Package weight:	1.8 kg
Backlight:	100 cm LED strip, 3000K colour temperature Dimmable in 4 positions: 0% = Off 20% = 84 lumen 60% = 252 lumen 100% = 420 lumen	2 year warranty - The general conditions can be found on our website: <a href="http://www.jee-o.com/downloads">www.jee-o.com/downloads</a>	
Switch:	1 touch	HS code:	70099200
Power supply:	Class 2, Input 100-240V / output +12V	Approvals	
IP rating:	44		

