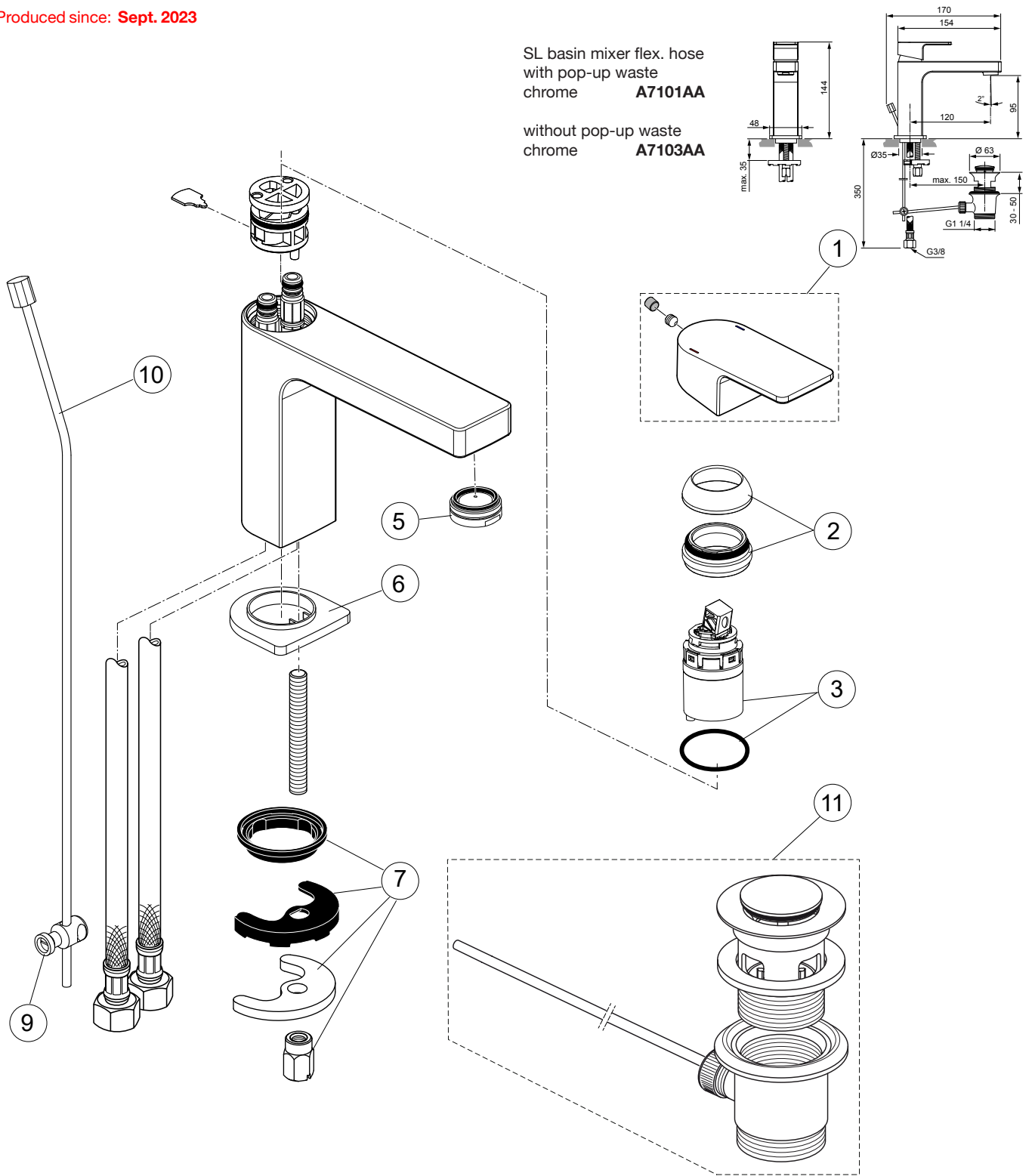


Produced since: **Sept. 2023**



SL basin mixer flex. hose
with pop-up waste
chrome **A7101AA**

without pop-up waste
chrome **A7103AA**

Replace XX with the appropriate finish code
 Chrome = AA Silver Storm = GN Gold = A2 Magnetic Grey = A5

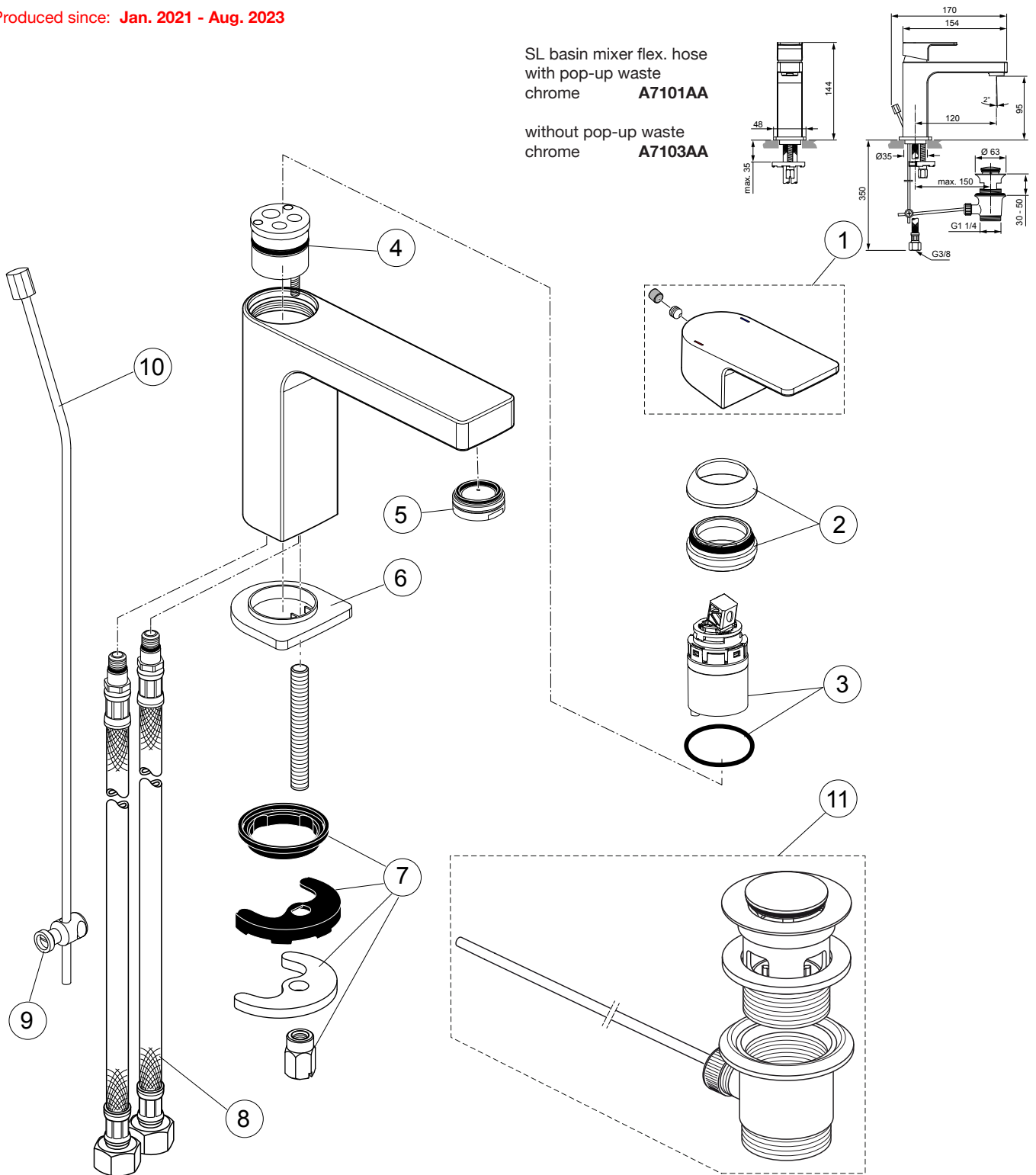
Example spare part order:
A 861 402 AA in Chrome

Pos.	Description	Part-Number	Qty.	Pos.	Description	Part-Number	Qty.
1	Lever cpl.	A 861 528 XX	1 Set	*Universal set (not all parts needed)			
2	Cover cap & screw	A 861 420 XX	1 pcs				
3	Cartridge Kerox Ø28	A 861 399 NU	1 Set				
5	Aerator M24x1 - 5ltr/min	B 961 383 XX	1 pcs				
6	Escutcheon	A 861 295 AA	1 pcs				
7	Fixation kit	A 964 520 NU*	1 Set				
9	Bracket	A 961 172 NU	1 pcs				
10	Lift rod cpl. + Pos. 9	B 961 119 AA	1 Set				
11	Pop-up waste complete	B 960 853 AA	1 Set				

Produced since: **Jan. 2021 - Aug. 2023**

SL basin mixer flex. hose
with pop-up waste
chrome **A7101AA**

without pop-up waste
chrome **A7103AA**



Replace XX with the appropriate finish code

Chrome = AA Silver Storm = GN Gold = A2 Magnetic Grey = A5

Example spare part order:

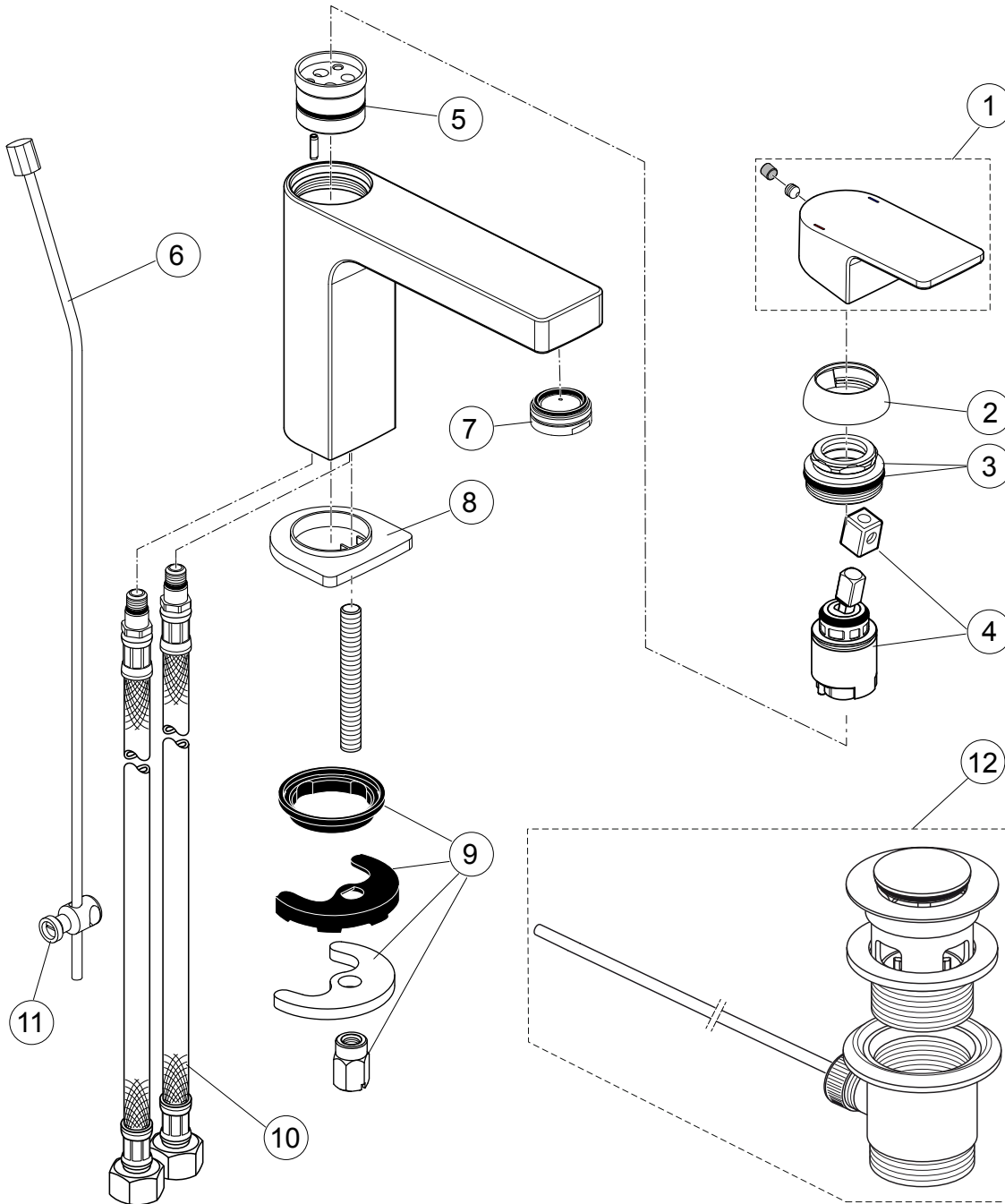
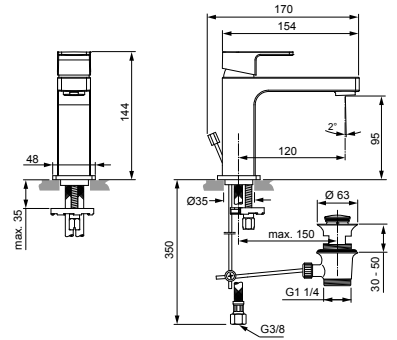
A 861 402 AA in Chrome

Pos.	Description	Part-Number	Qty.	Pos.	Description	Part-Number	Qty.
1	Lever cpl.	A 861 528 XX	1 Set	10	Lift rod cpl. + Pos. 9	B 961 119 AA	1 Set
XX	Cover cap & screw	A 861 420	1 pcs	11	Pop-up waste complete	B 960 853 AA	1 Set
3	Cartridge Kerox Ø28	A 861 399 NU	1 Set	*Universal set (not all parts needed)			
4	O - Ring Ø 23,52 x 1,78	A 961 855 NU	1 pcs				
5	Aerator M24x1 - 5ltr/min	B 961 383 XX	1 pcs				
6	Escutcheon	A 861 295 AA	1 pcs				
7	Fixation kit	A 964 520 NU*	1 Set				
8	Flex. hose M8x1-G3/8-425	A 962 370 NU	1 pcs				
9	Bracket	A 961 172 NU	1 pcs				

Produced since: **Dec. 2020 - Jan. 2021**

SL basin mixer flex. hose
with pop-up waste
chrome **A7101AA**

without pop-up waste
chrome **A7103AA**

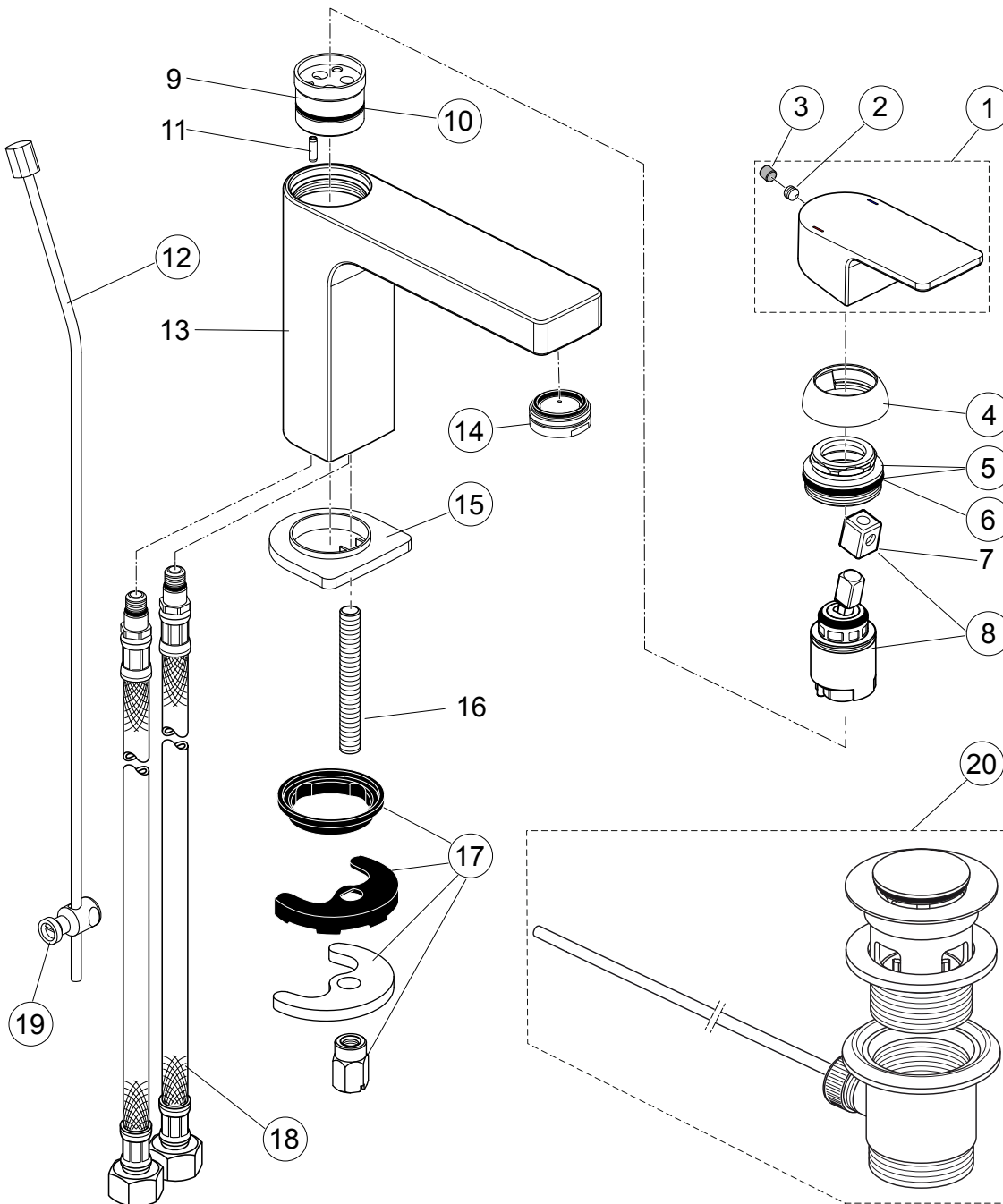
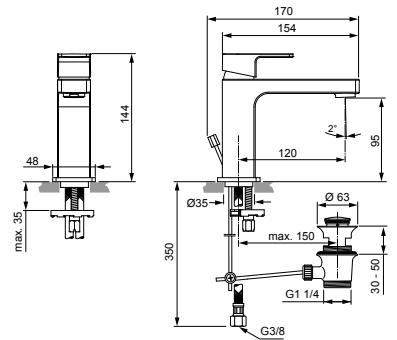


Pos.	Description	Part-Number	Qty.	Pos.	Description	Part-Number	Qty.
1	Lever cpl. w. Logo ISI + pos.7	A 861 294 AA	1 Set	11	Bracket	A 961 172 NU	1 pcs
2	Cover cap	A 861 224 AA	1 pcs	12	Pop-up waste complete	B 960 853 AA	1 Set
3	Thread ring M30x1 + pos.6	A 861 225 NU	1 Set	<i>*Universal set (not all parts needed)</i>			
4	Cartridge Kerox Ø25	A 861 226 NU	1 Set				
5	O - Ring Ø 23,52 x 1,78	A 961 855 NU	1 pcs				
6	Lift rod cpl. + Pos. 19	B 961 119 AA	1 Set				
7	Aerator M24x1 - 5ltr/min	B 961 383 AA	1 pcs				
8	Escutcheon	A 861 295 AA	1 pcs				
9	Fixation kit	A 964 520 NU*	1 Set				
10	Flex. hose M8x1-G3/8-425	A 962 370 NU	1 pcs				

Produced since: April 2018 - Nov. 2020

SL basin mixer flex. hose
with pop-up waste
chrome **A7101AA**

without pop-up waste
chrome **A7103AA**



Pos.	Description	Part-Number	Qty.	Pos.	Description	Part-Number	Qty.
1	Lever cpl. w. Logo ISI + pos.7	A 861 294 AA	1 Set	12	Lift rod cpl. + Pos. 19	B 961 119 AA	1 Set
2	Thread pin M5x5 DIN916	A 962 041 NU*	1 Set	13	Body		
3	Handle plug	A 861 223 NU	1 pcs	14	Aerator M24x1 - 5ltr/min	B 961 383 AA	1 pcs
4	Cover cap	A 861 224 AA	1 pcs	15	Escutcheon	A 861 295 AA	1 pcs
5	Thread ring M30x1 + pos.6	A 861 225 NU	1 Set	16	Bolt M8x63		
6	O - Ring Ø 28 x 2	A 963 299 NU	1 pcs	17	Fixation kit	A 964 520 NU*	1 Set
7	Lever adapter			18	Flex. hose M8x1-G3/8-425	A 962 370 NU	1 pcs
8	Cartridge Kerox Ø25 + Pos.7	A 861 226 NU	1 Set	19	Bracket	A 961 172 NU	1 pcs
9	Manifold			20	Pop-up waste complete	B 960 853 AA	1 Set
10	O - Ring Ø 23,52 x 1,78	A 961 855 NU	1 pcs				
11	Clamping pin						

*Universal set (not all parts needed)