



# Edge

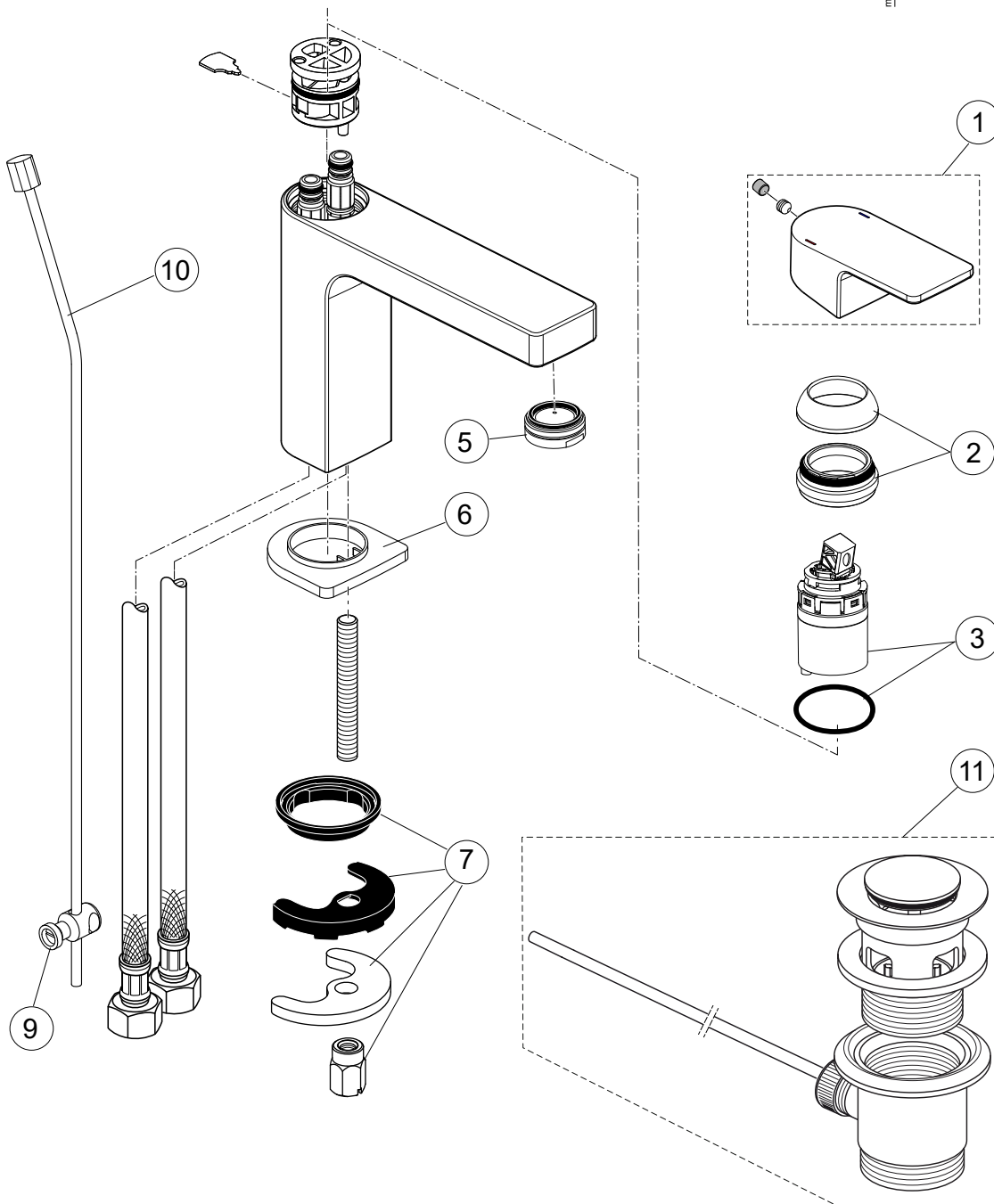
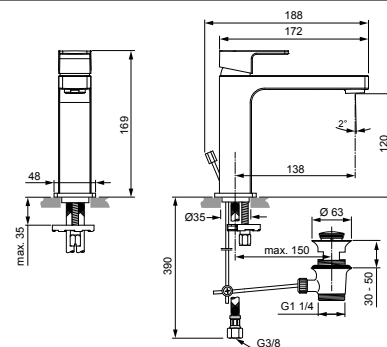
A7106.. A7108..

Ideal Standard

Produced since: **Sept. 2023**

SL basin mixer flex. hose  
with pop-up waste  
chrome **A7106AA**

without pop-up waste  
chrome **A7108AA**



Replace **XX** with the appropriate finish code

Chrome = AA Silver Storm = GN Gold = A2 Magnetic Grey = A5

Example spare part order:

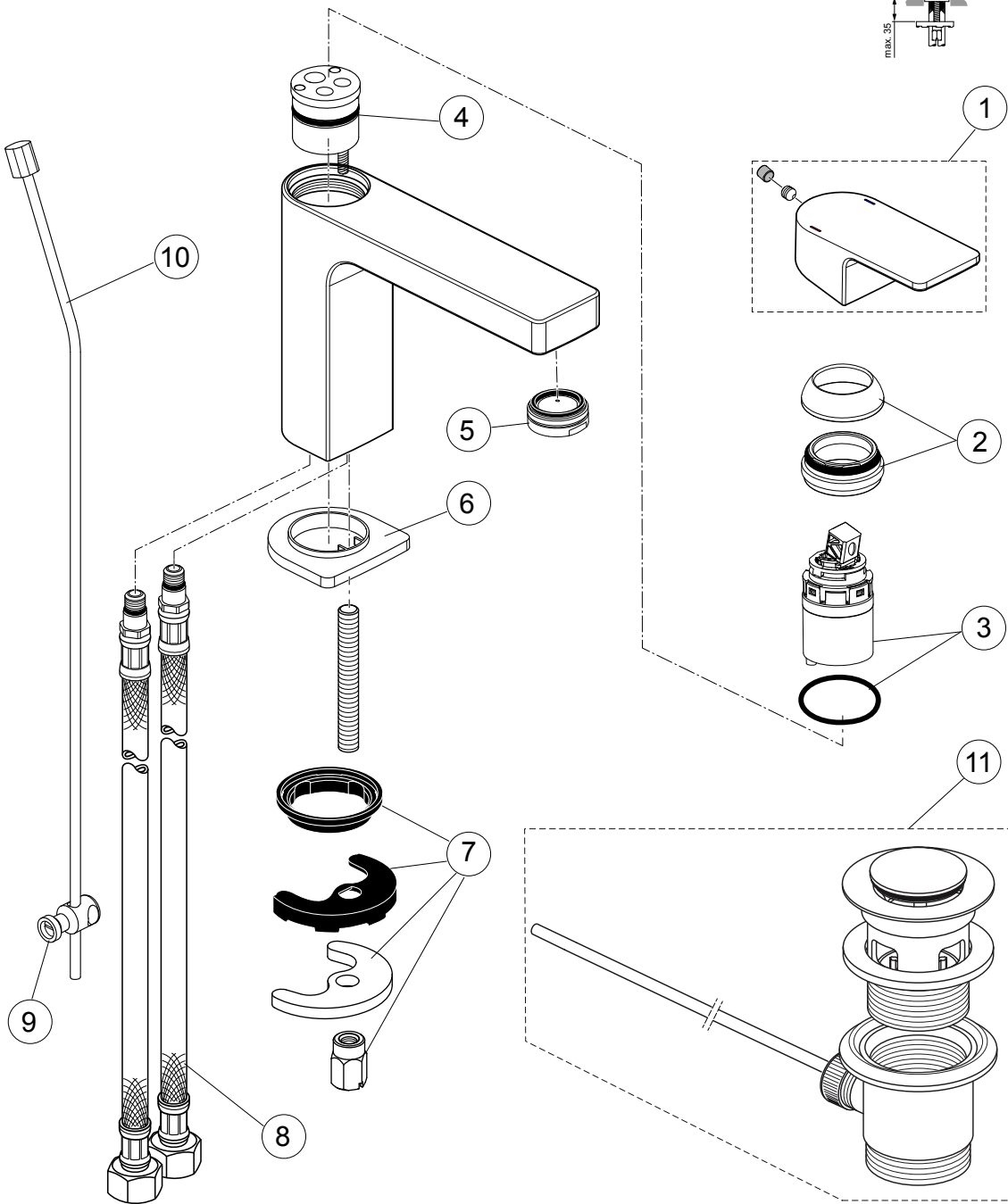
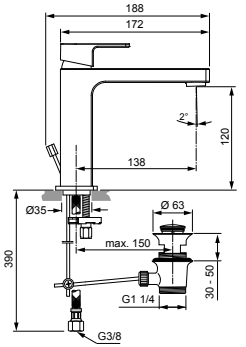
**A 861 402 AA** in Chrome

| Pos. | Description              | Part-Number          | Qty.  | Pos. | Description                                  | Part-Number         | Qty.  |
|------|--------------------------|----------------------|-------|------|--|---------------------|-------|
| 1    | Lever cpl.               | <b>A 861 528 XX</b>  | 1 Set | 11   | Pop-up waste complete                        | <b>B 960 853 AA</b> | 1 Set |
| 2    | Cover cap & screw        | <b>A 861 420 XX</b>  | 1 pcs |      | <i>*Universal set (not all parts needed)</i> |                     |       |
| 3    | Cartridge Kerox Ø28      | <b>A 861 399 NU</b>  | 1 Set |      |  |                     |       |
| 5    | Aerator M24x1 - 5ltr/min | <b>B 961 383 XX</b>  | 1 pcs |      |  |                     |       |
| 6    | Escutcheon               | <b>A 861 295 AA</b>  | 1 pcs |      |  |                     |       |
| 7    | Fixation kit             | <b>A 964 520 NU*</b> | 1 Set |      |  |                     |       |
| 9    | Bracket                  | <b>A 961 172 NU</b>  | 1 pcs |      |  |                     |       |
| 10   | Lift rod cpl. + Pos. 9   | <b>B 961 119 AA</b>  | 1 Set |      |  |                     |       |

Produced since: Jan. 2021 - Aug. 2023

SL basin mixer flex. hose  
with pop-up waste  
chrome **A7106AA**

without pop-up waste  
chrome **A7108AA**



Replace XX with the appropriate finish code

Chrome = AA Silver Storm = GN Gold = A2 Magnetic Grey = A5

Example spare part order:

**A 861 402 AA** in Chrome

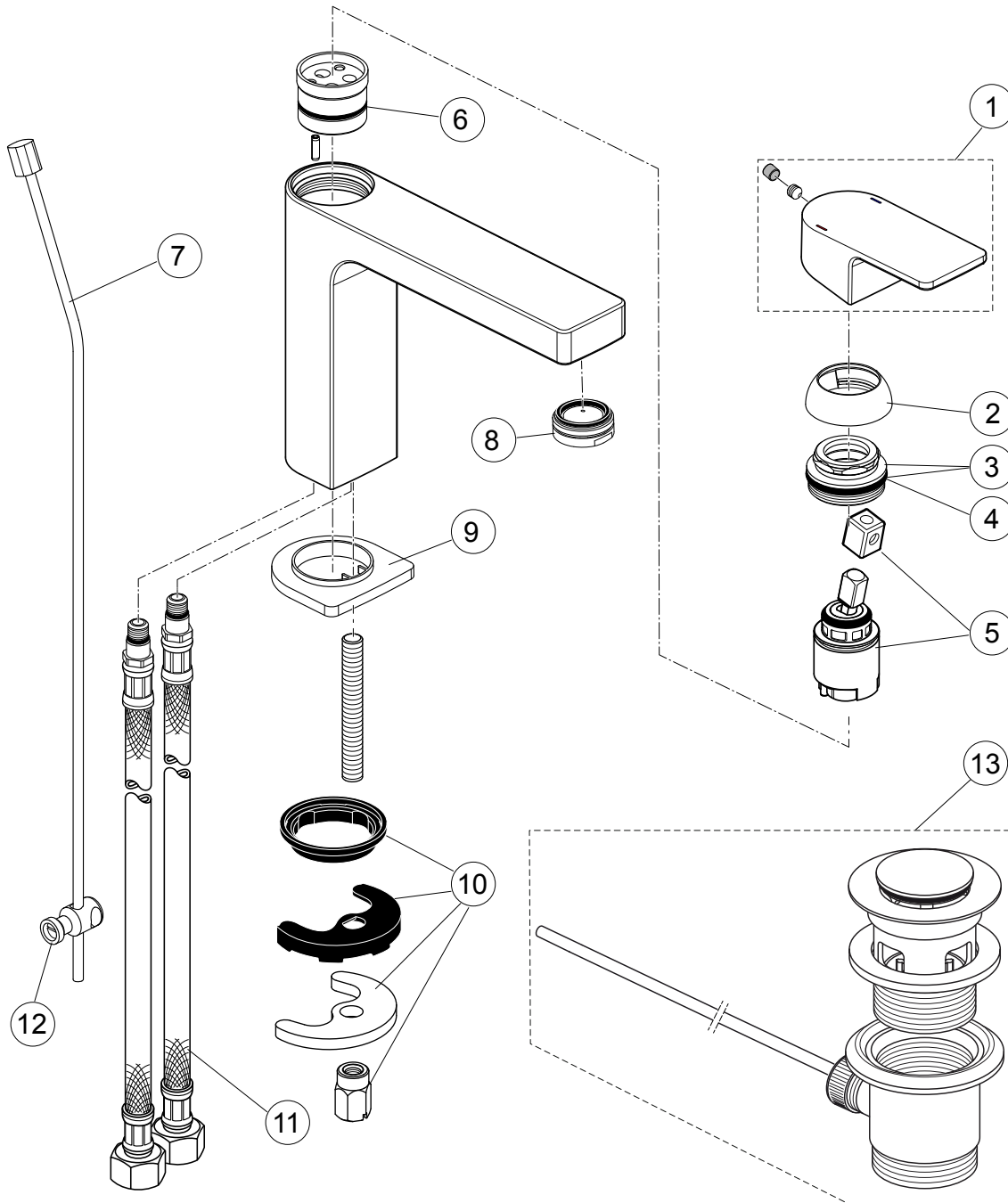
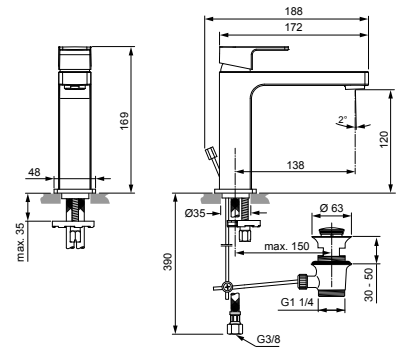
| Pos. | Description              | Part-Number          | Qty.  | Pos. | Description           | Part-Number         | Qty.  |
|------|--------------------------|----------------------|-------|------|-----------------------|---------------------|-------|
| 1    | Lever cpl.               | <b>A 861 528 XX</b>  | 1 Set | 11   | Pop-up waste complete | <b>B 960 853 AA</b> | 1 Set |
| 2    | Cover cap & screw        | <b>A 861 420 XX</b>  | 1 pcs |      |                       |                     |       |
| 3    | Cartridge Kerox Ø28      | <b>A 861 399 NU</b>  | 1 Set |      |                       |                     |       |
| 4    | O - Ring Ø 23,52 x 1,78  | <b>A 961 855 NU</b>  | 1 pcs |      |                       |                     |       |
| 5    | Aerator M24x1 - 5ltr/min | <b>B 961 383 XX</b>  | 1 pcs |      |                       |                     |       |
| 6    | Escutcheon               | <b>A 861 295 AA</b>  | 1 pcs |      |                       |                     |       |
| 7    | Fixation kit             | <b>A 964 520 NU*</b> | 1 Set |      |                       |                     |       |
| 8    | Flex. hose M8x1-G3/8-500 | <b>A 962 005 NU</b>  | 1 pcs |      |                       |                     |       |
| 9    | Bracket                  | <b>A 961 172 NU</b>  | 1 pcs |      |                       |                     |       |
| 10   | Lift rod cpl. + Pos. 9   | <b>B 961 119 AA</b>  | 1 Set |      |                       |                     |       |

\*Universal set (not all parts needed)

Produced since: Dec. 2020 - Jan. 2021

SL basin mixer flex. hose  
with pop-up waste  
chrome **A7106AA**

without pop-up waste  
chrome **A7108AA**

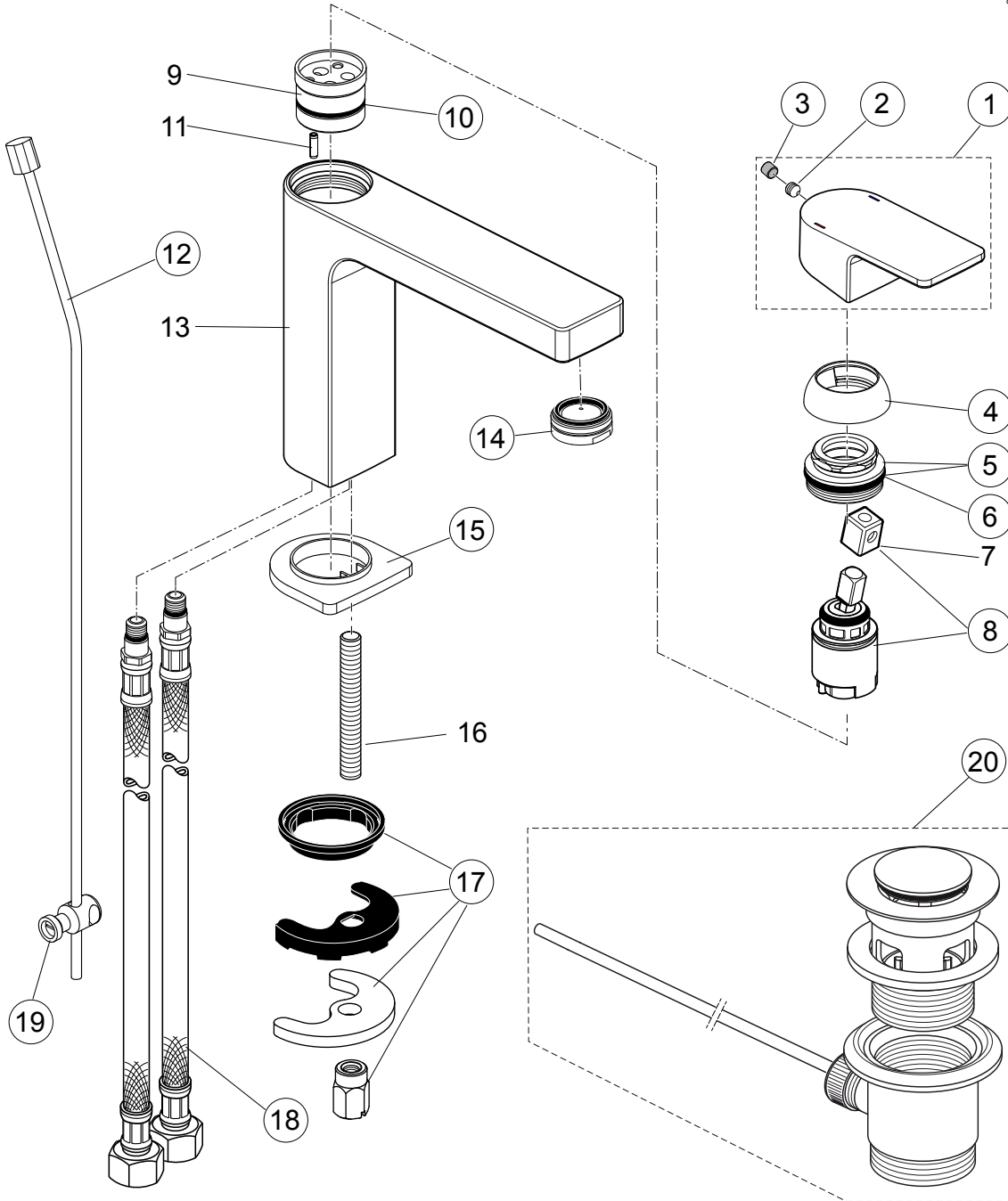
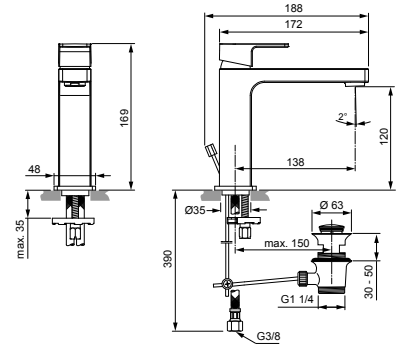


| Pos. | Description                    | Part-Number          | Qty.  | Pos.   | Description              | Part-Number         | Qty.  |
|------|--------------------------------|----------------------|-------|--|--------------------------|---------------------|-------|
| 1    | Lever cpl. w. Logo ISI + pos.7 | <b>A 861 294 AA</b>  | 1 Set | 11   | Flex. hose M8x1-G3/8-500 | <b>A 962 005 NU</b> | 1 pcs |
| 2    | Cover cap                      | <b>A 861 224 AA</b>  | 1 pcs | 12   | Bracket                  | <b>A 961 172 NU</b> | 1 pcs |
| 3    | Thread ring M30x1              | <b>A 861 225 NU</b>  | 1 Set | 13   | Pop-up waste complete    | <b>B 960 853 AA</b> | 1 Set |
| 4    | O - Ring Ø 28 x 2              | <b>A 963 299 NU</b>  | 1 pcs | <i>*Universal set (not all parts needed)</i> |                          |                     |       |
| 5    | Cartridge Kerox Ø25            | <b>A 861 226 NU</b>  | 1 Set |  |                          |                     |       |
| 6    | O - Ring Ø 23,52 x 1,78        | <b>A 961 855 NU</b>  | 1 pcs |  |                          |                     |       |
| 7    | Lift rod cpl. + Pos. 12        | <b>B 961 119 AA</b>  | 1 Set |  |                          |                     |       |
| 8    | Aerator M24x1 - 5ltr/min       | <b>B 961 383 AA</b>  | 1 pcs |  |                          |                     |       |
| 9    | Escutcheon                     | <b>A 861 295 AA</b>  | 1 pcs |  |                          |                     |       |
| 10   | Fixation kit                   | <b>A 964 520 NU*</b> | 1 Set |  |                          |                     |       |

Produced since: **April 2018 - Nov. 2020**

SL basin mixer flex. hose  
with pop-up waste  
chrome **A7106AA**

without pop-up waste  
chrome **A7108AA**



| Pos. | Description                    | Part-Number          | Qty.  | Pos. | Description              | Part-Number          | Qty.  |
|------|--------------------------------|----------------------|-------|------|--------------------------|----------------------|-------|
| 1    | Lever cpl. w. Logo ISI + pos.7 | <b>A 861 294 AA</b>  | 1 Set | 12   | Lift rod cpl. + Pos. 19  | <b>B 961 119 AA</b>  | 1 Set |
| 2    | Thread pin M5x5 DIN916         | <b>A 962 041 NU*</b> | 1 Set | 13   | Body                     |                      |       |
| 3    | Handle plug                    | <b>A 861 223 NU</b>  | 1 pcs | 14   | Aerator M24x1 - 5ltr/min | <b>B 961 383 AA</b>  | 1 pcs |
| 4    | Cover cap                      | <b>A 861 224 AA</b>  | 1 pcs | 15   | Escutcheon               | <b>A 861 295 AA</b>  | 1 pcs |
| 5    | Thread ring M30x1 + pos.6      | <b>A 861 225 NU</b>  | 1 Set | 16   | Bolt M8x63               |                      |       |
| 6    | O - Ring Ø 28 x 2              | <b>A 963 299 NU</b>  | 1 pcs | 17   | Fixation kit             | <b>A 964 520 NU*</b> | 1 Set |
| 7    | Lever adapter                  |                      |       | 18   | Flex. hose M8x1-G3/8-500 | <b>A 962 005 NU</b>  | 1 pcs |
| 8    | Cartridge Kerox Ø25 + Pos.7    | <b>A 861 226 NU</b>  | 1 Set | 19   | Bracket                  | <b>A 961 172 NU</b>  | 1 pcs |
| 9    | Manifold                       |                      |       | 20   | Pop-up waste complete    | <b>B 960 853 AA</b>  | 1 Set |
| 10   | O - Ring Ø 23,52 x 1,78        | <b>A 961 855 NU</b>  | 1 pcs |      |                          |                      |       |
| 11   | Clamping pin                   |                      |       |      |                          |                      |       |

\*Universal set (not all parts needed)