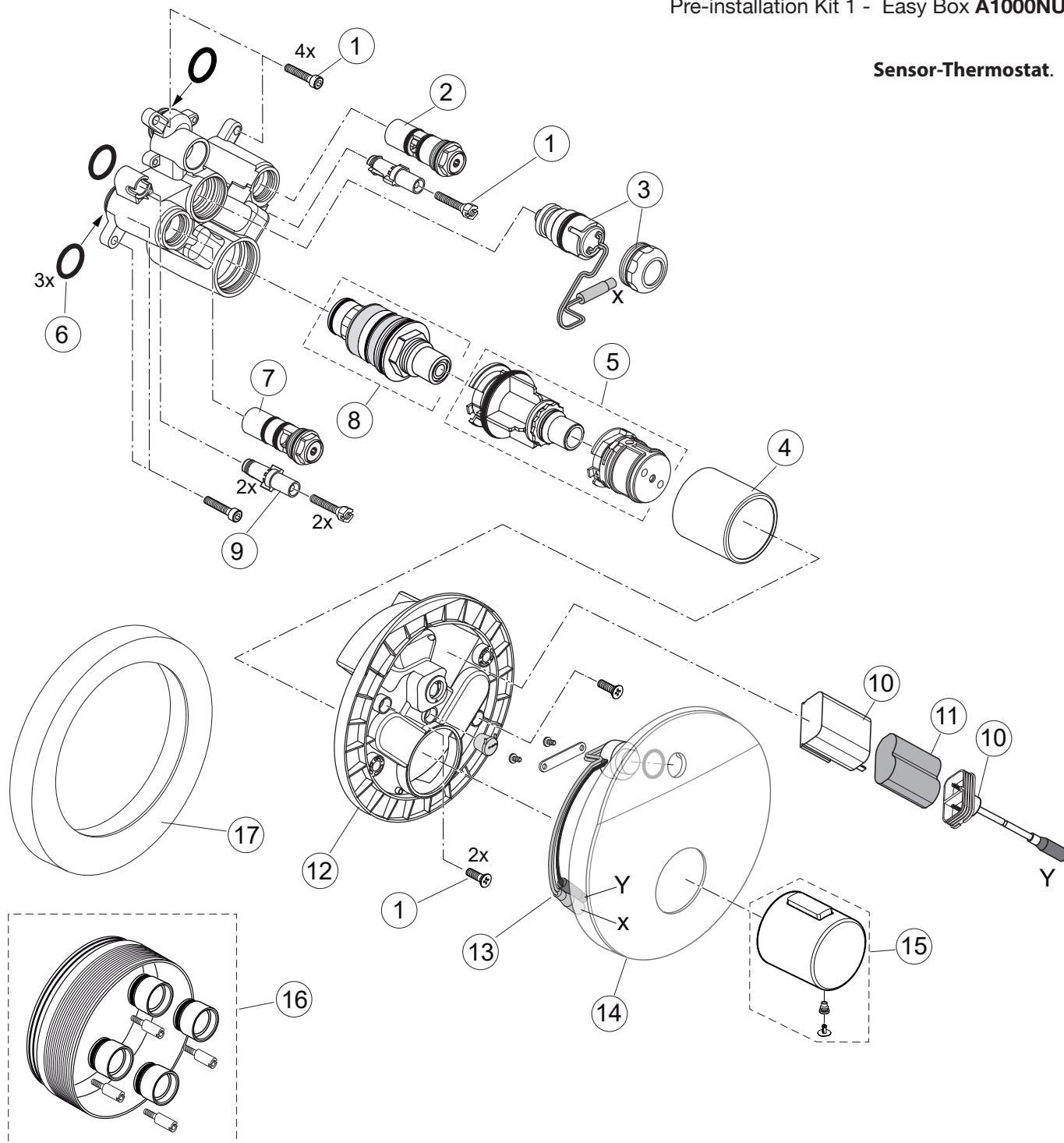




Produced from: March 2021

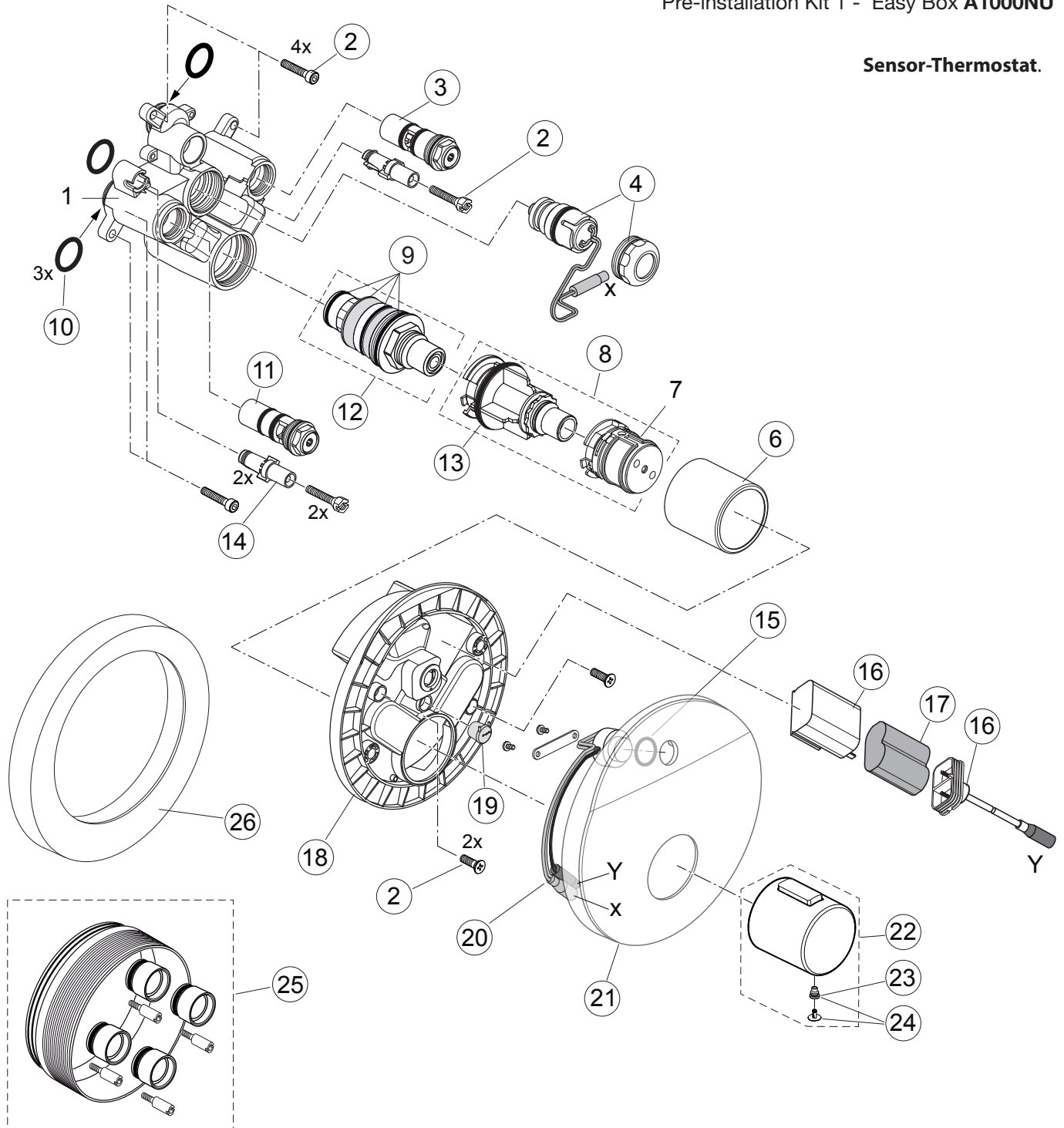
Pre-installation Kit 1 - Easy Box A1000NU

Sensor-Thermostat.



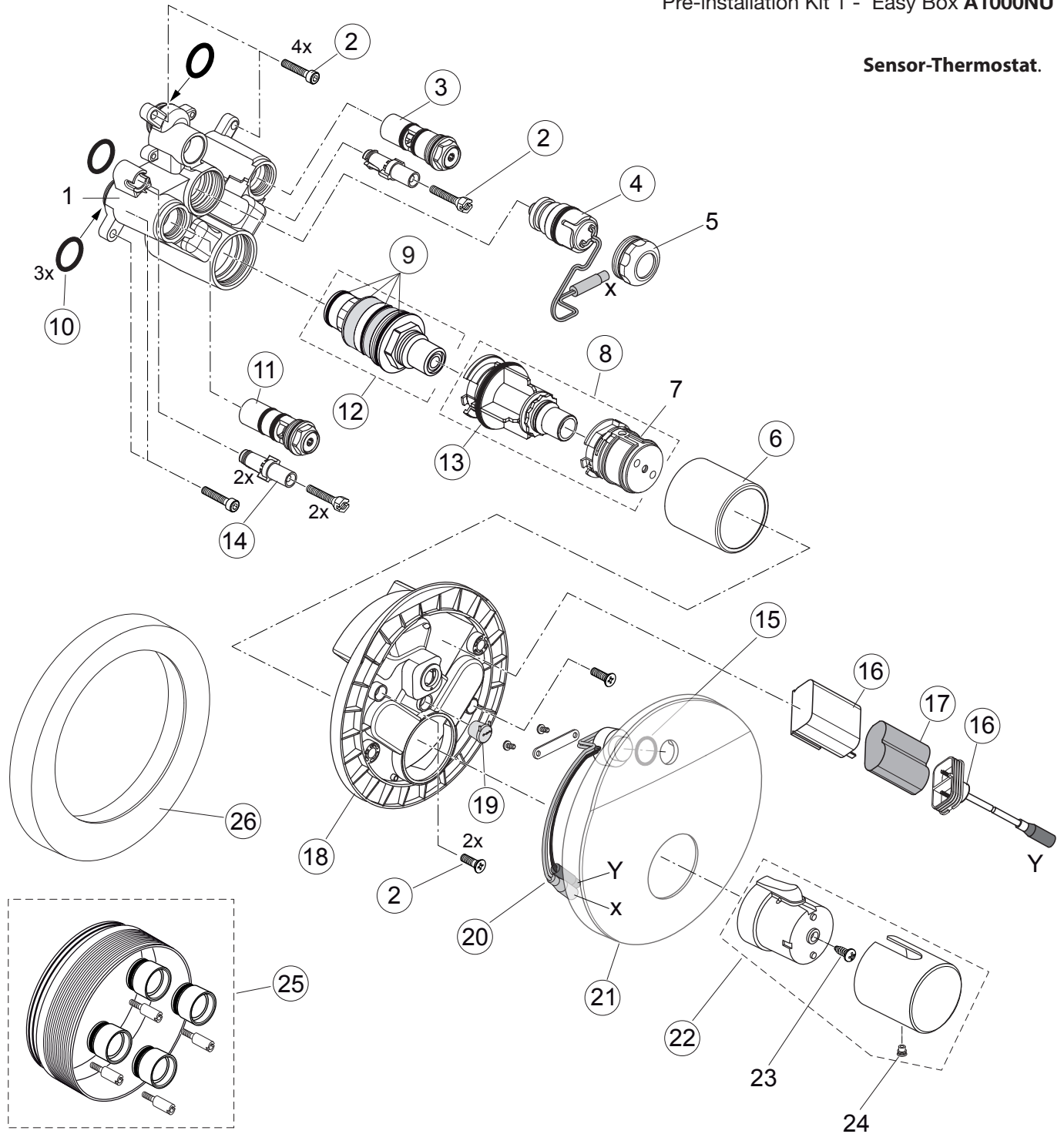
| Pos. | Description | Part-Number | Qty. | Pos. | Description | Part-Number | Qty. |
|------|---------------------------|--------------|-------|------|--------------------|--------------|-------|
| 1 | Screw set complete | A 960 890 NU | 1 Set | 14 | Escutcheon | F 961 073 AA | 1 pcs |
| 2 | Stop valve (hot) | F 961 052 NU | 1 pcs | 15 | Temp. handle cpl. | A 860 907 AA | 1 Set |
| 3 | Solenoidvalve 6V G1/2* | F 961 050 NU | 1 pcs | 16 | Extension kit 20mm | A 960 704 NU | 1 Set |
| | * special tool required | A 861 257 NU | 1 pcs | | Extension kit 40mm | A 962 476 NU | 1 Set |
| 4 | Cap | F 961 051 AA | 1 pcs | 17 | Distance frame | F 961 057 AA | 1 pcs |
| 5 | Temp. adjustment cpl. | A 963 427 NU | 1 Set | | | | |
| 6 | O-ring Ø 17,5 x 2,5 | A 963 146 NU | 1 Set | | | | |
| 7 | Stop valve (cold) | F 961 049 NU | 1 pcs | | | | |
| 8 | Cartridge thermostat G1/2 | A 962 229NU | 1 pcs | | | | |
| 9 | Adapter srew M5 | F 960 903 NU | 2 pcs | | | | |
| 10 | Battery case | F 961 038 NU | 1 pcs | | | | |
| 11 | Battery 6V CR-P2 | A 960 161 NU | 1 pcs | | | | |
| 12 | Escutcheon holder cpl. | F 961 054 NU | 1 pcs | | | | |
| 13 | Sensor complete | F 961 053 NU | 1 Set | | | | |

Sensor-Thermostat.



| Pos. | Description | Part-Number | Qty. | Pos. | Description | Part-Number | Qty. |
|------|---------------------------|--------------|-------|------|--------------------------|--------------|-------|
| 1 | Body Thermostat | | | 15 | O - Ring Ø 15,6 x 1,78 | A 961 182 NU | 2 pcs |
| 2 | Screw set complete | A 960 890 NU | 1 Set | 16 | Battery case | F 961 038 NU | 1 pcs |
| 3 | Stop valve (hot) | F 961 052 NU | 1 pcs | 17 | Battery 6V CR-P2 | A 960 161 NU | 1 pcs |
| 4 | Solenoidvalve 6V G1/2* | F 961 050 NU | 1 pcs | 18 | Escutcheon holder cpl. | F 961 054 NU | 1 pcs |
| | * special tool required | A 861 257 NU | 1 pcs | 19 | Cable grommet | F 961 074 NU | 2 pcs |
| 6 | Cap | F 961 051 AA | 1 pcs | 20 | Sensor complete + Pos.15 | F 961 053 NU | 1 Set |
| 7 | Temperature control unitt | | | 21 | Escutcheon | F 961 073 AA | 1 pcs |
| 8 | Temp. adjustment cpl. | A 963 427 NU | 1 Set | 22 | Temp. handle cpl. | A 860 907 AA | 1 Set |
| 9 | Repair set | A 962 230 NU | 1 Set | 23 | Spigot screw M5x5 | A 961 095 NU | 1 pcs |
| 10 | O-ring Ø 17,5 x 2,5 | A 963 143 NU | 1 Set | 24 | Cap + Screw | A 962 149 AA | 1 Set |
| 11 | Stop valve (cold) | F 961 049 NU | 1 pcs | 25 | Extension kit 20mm | A 960 704 NU | 1 Set |
| 12 | Cartridge thermostat G1/2 | A 962 164 NU | 1 pcs | | Extension kit 40mm | A 962 476 NU | 1 Set |
| 13 | O-ring Ø 37,77 x 2,62 | A 962 574 NU | 1 pcs | 26 | Distance frame | F 961 057 AA | 1 pcs |
| 14 | Adapter srew M5 | F 960 903 NU | 2 pcs | | | | |

Sensor-Thermostat.



| Pos. | Description | Part-Number | Qty. | Pos. | Description | Part-Number | Qty. |
|------|---------------------------|--------------|-------|------|--------------------------|--------------|-------|
| 1 | Body Thermostat | | | 15 | O - Ring Ø 15,6 x 1,78 | A 961 182 NU | 2 pcs |
| 2 | Screw set complete | A 960 890 NU | 1 Set | 16 | Battery case | F 961 038 NU | 1 pcs |
| 3 | Stop valve (hot) | F 961 052 NU | 1 pcs | 17 | Battery 6V CR-P2 | A 960 161 NU | 1 pcs |
| 4 | Solenoidvalve 6V G1/2 | F 961 050 NU | 1 pcs | 18 | Escutcheon holder cpl. | F 961 054 NU | 1 pcs |
| 5 | Cap nut | | | 19 | Cable grommet | F 961 074 NU | 2 pcs |
| 6 | Cap | F 961 051 AA | 1 pcs | 20 | Sensor complete + Pos.15 | F 961 053 NU | 1 Set |
| 7 | Temperature control unitt | | | 21 | Escutcheon | F 961 073 AA | 1 pcs |
| 8 | Temp. adjustment cpl. | A 963 427 NU | 1 Set | 22 | Temp. handle cpl. | A 962 389 AA | 1 Set |
| 9 | Repair set | A 962 230 NU | 1 Set | 23 | Ejot-PT Screw KB50x10 | | |
| 10 | O-ring Ø 17,5 x 2,5 | A 963 143 NU | 1 Set | 24 | Thread pin M5x5 DIN916 | | |
| 11 | Stop valve (cold) | F 961 049 NU | 1 pcs | 25 | Extension kit 20mm | A 960 704 NU | 1 Set |
| 12 | Cartridge thermostat G1/2 | A 962 164 NU | 1 pcs | | Extension kit 40mm | A 962 476 NU | 1 Set |
| 13 | O-ring Ø 37,77 x 2,62 | A 962 574 NU | 1 pcs | 26 | Distance frame | F 961 057 AA | 1 pcs |
| 14 | Adapter srew M5 | F 960 903 NU | 2 pcs | | | | |