

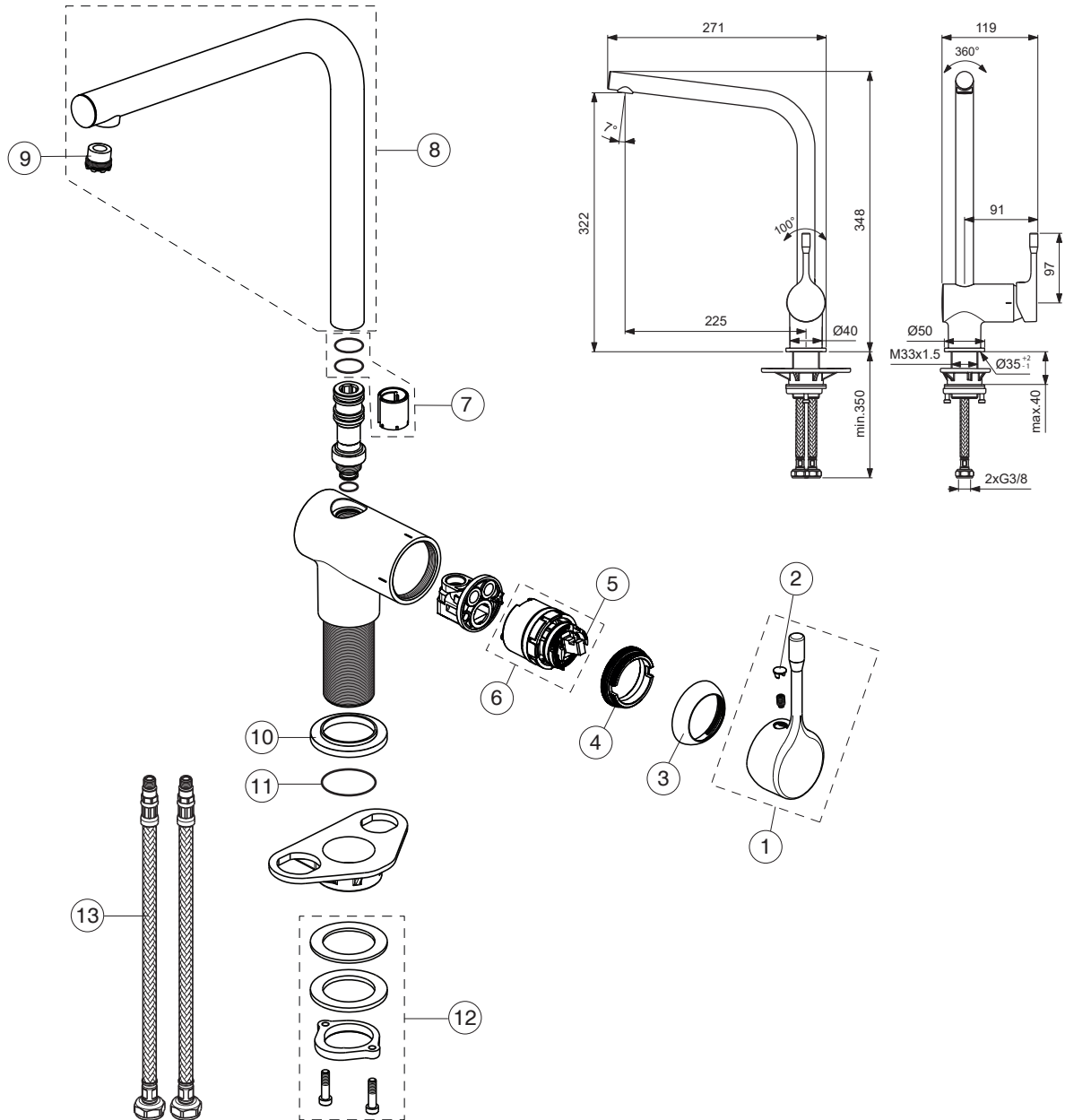


CERALOOK

Ideal Standard

Produced from: Jan.2023

BC174XX



For XX=Coverage-Designate:

AA=chrome, GN=silver storm

XG=silk black

For Instance:

B961580AA for chrome

Pos.	Signify	Spare parts-Nr.	Quantity	Pos.	Signify	Spare parts-Nr.	Quantity
1	Lever,w/logo-set	B961580XX	1 Pcs.				
2	Cap decorative	B960473AA	1 Pcs.				
3	Rosette	B961438XX	1 Pcs.				
4	Screw M41x1.5/M38x1.5	B961374NU	1 Pcs.				
5	Hot limit stop	A861181NU	1 Pcs.				
6	Cartridge Ø38mm	A861156NU*	1 Pcs.				
7	Sealing set for tub.spout	B961574NU	1 Set				
8	Tub.spout -compl.	B961575XX	1 Set				
9	Flowstr.cache M16.5x1	B960497NU	1 Pcs.				
10	Rosette decorative	B960712XX	1 Pcs.				
11	O-Ring 37,77 X 2,62	A962574NU	1 Pcs.				
12	Connecting group	B960255NU	1 Pcs.				
13	Fl.hose G3/8/M8x1/L500	B960221NU	1 Pcs.				

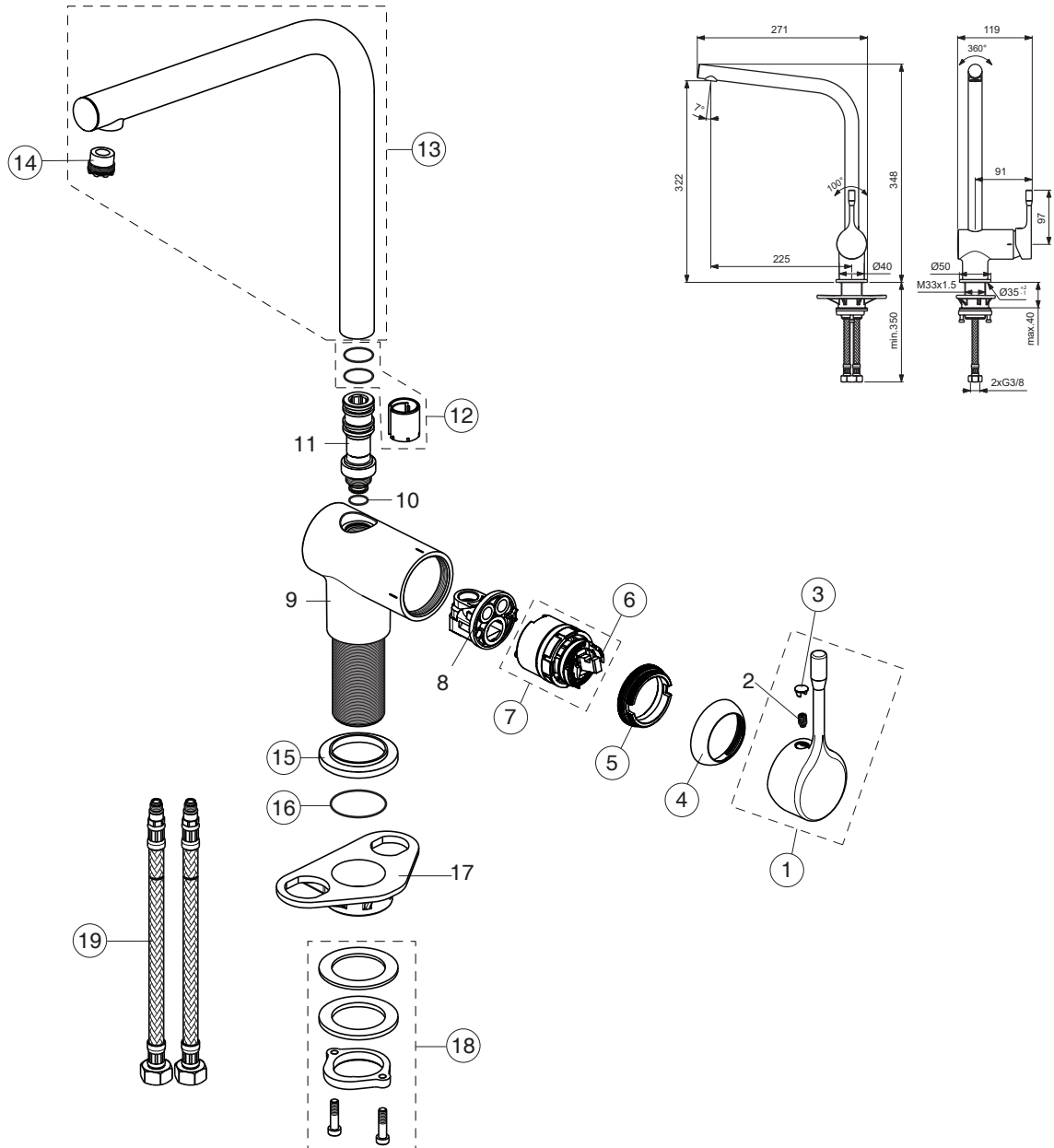


CERALOOK

Ideal Standard

Produced from: Oct.2020

BC174XX



For XX=Coverage-Designate:

AA=chrome, GN=silver storm
XG=silk black

For Instance:

B961580AA for chrome

Pos.	Signify	Spare parts-Nr.	Quantity	Pos.	Signify	Spare parts-Nr.	Quantity
1	Lever,w/logo-set	B961580XX	1 Pcs.	15	Rosette decorative	B960712XX	1 Pcs.
2	Screw M5x8		1 Pcs.	16	O-Ring 37,77 X 2,62	A962574NU	1 Pcs.
3	Cap decorative	B960473AA	1 Pcs.	17	U plate support bracket fix.kit		1 Pcs.
4	Rosette	B961438XX	1 Pcs.	18	Connecting group	B960255NU	1 Pcs.
5	Screw M41x1.5/M38x1.5	B961374NU	1 Pcs.	19	Flex hose M8X1-G3/8I -Ø4,7/11,5-DN6X500	A962005NU	1 Pcs.
6	Hot limit stop	A861181NU	1 Pcs.				
7	Cartridge Ø38mm	A861156NU*	1 Pcs.				
8	Manifold		1 Pcs.				
9	Body		1 Pcs.				
10	O-Ring Ø39.1x1.3		1 Pcs.				
11	Nipple		1 Pcs.				
12	Sealing set for tub.spout	B961574NU	1 Set.				
13	Tub.spout -compl.	B961575XX	1 Set.				
14	Flowstraitener cache M16.5x1	B960497NU	1 Pcs.				